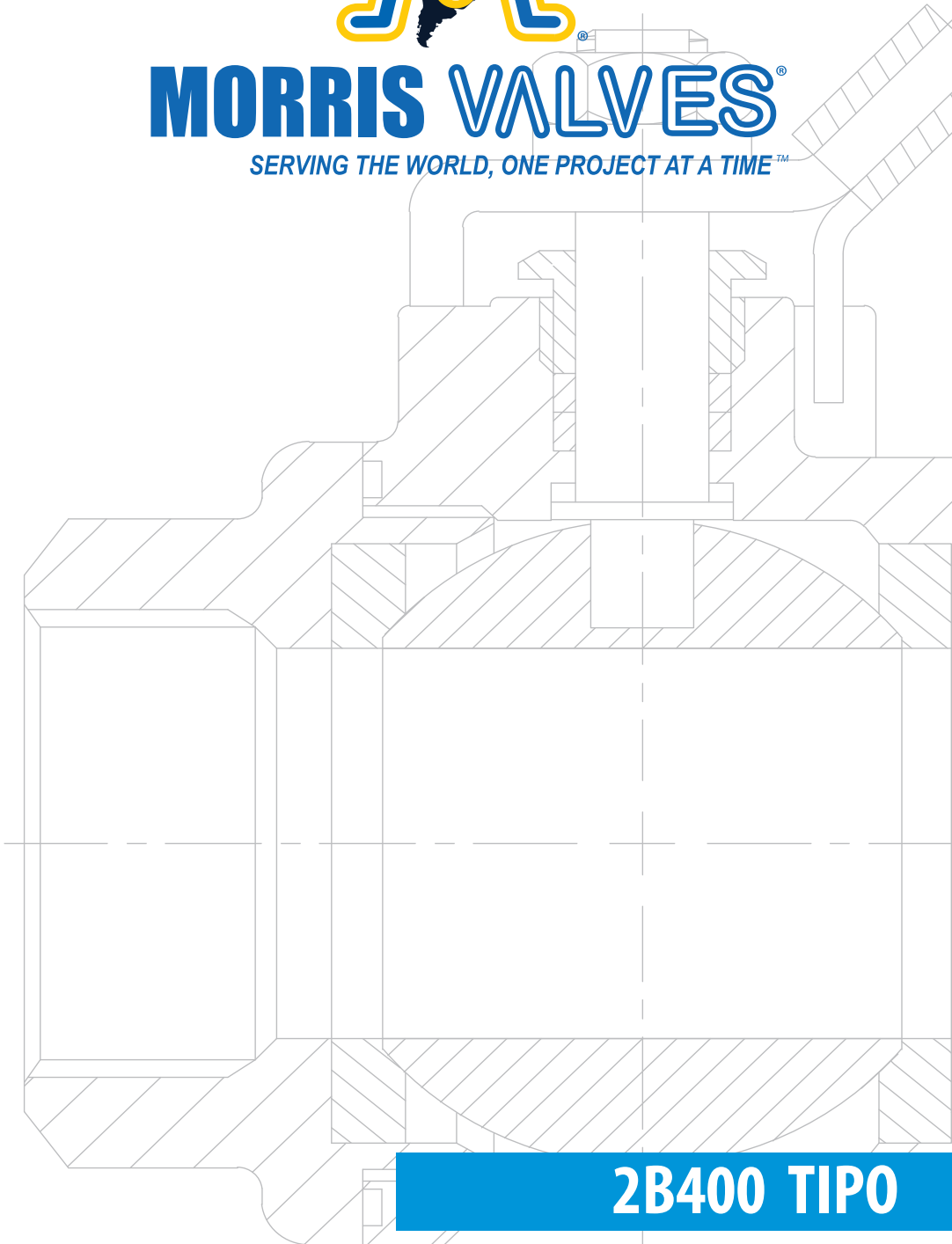




MORRIS VALVES®

SERVING THE WORLD, ONE PROJECT AT A TIME™



2B400 TIPO

www.morrisvalve.com



In 1984, our journey into the business of repairing valves and industrial instrumentation began. That journey has led us to represent and service well known American brands and companies. In early 2000, our experience and growing passion for the valve industry encouraged our decision to launch our own brand, Morris Valves. Starting with the highly requested Ball Valves, the brand has been based on the principal of quality and performance to match our customers' needs. Our high standards of production later lead us to incorporate other models such as Gate Valve and Check Valves to our production. These additions were carefully selected to match our Standard of Quality. Our success has been driven by our belief of "Tradition with Quality" in everything we do. Our products are developed with that belief which drives our growth and guides the service we provide to our customers.

Mision

Our mission is to use our highly trained, highly focused, and extremely motivated staff to work with manufacturers who value quality and have the vision for new development and product applications to ensure the timely provision of goods and services related to valves, their components and industrial equipment in general. We maintain a rigorous standard of customer satisfaction, which will provide for the welfare of the company, the welfare of the countries we serve, and most importantly the sustainability of the planet.

Contacts

USA

Address: 5590 NW 84 Ave. Miami, FL 33166

Telephone: +1(305) 593-0443

Fax: +1(305)716-9912

Email: sales@morrisvalve.com

Address: 3303 FM 1960 Rd, Suite 320
Houston TX,77068

Telephone: +1 (832) 666-5576

Cel: +1 (786) 779-7469

Email: sales@morrisvalve.com

Venezuela - Puerto Ordaz

Address: Zona Industrial los Pinos, Manzana 7 Parcela
10, Puerto Ordaz, Edo. Bolívar.

Telephone: +58(286)994-2996

Fax: +58(286)994-4162

Venezuela - Valencia

Address: Zona Industrial Municipal Norte, Av Norte
Sur, entre calles 86 y 84. Edif. BOUPA II, ofc. # 5
Valencia, Edo. Carabobo

Telephone: +58(241)838-6020

Fax: +58(241)838-7919

Vision

Our vision is to be amongst the leading corporations in the supply of goods and services related to valves, their components and industrial equipment in general. We want to conquer new markets in conformity with international standards and remain committed to customer satisfaction, the welfare of our company and the sustainability of our planet.

"Serving the world, one project at a time"

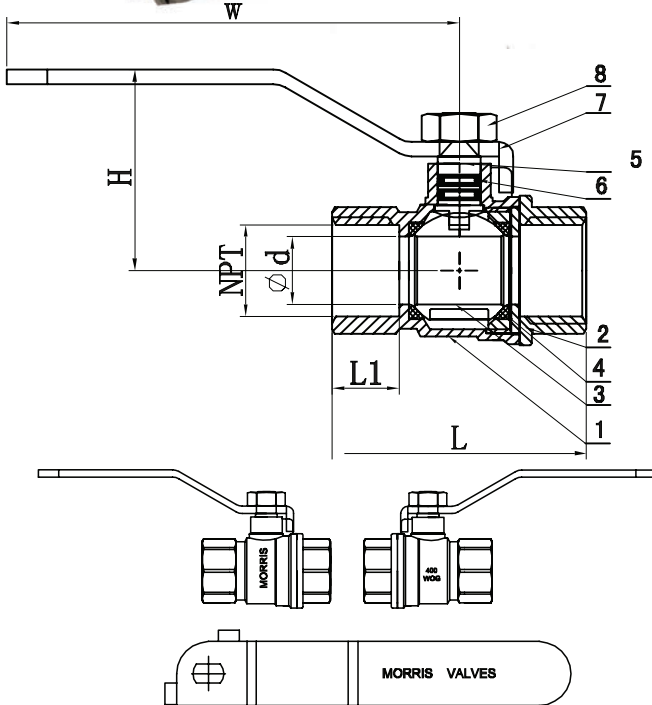
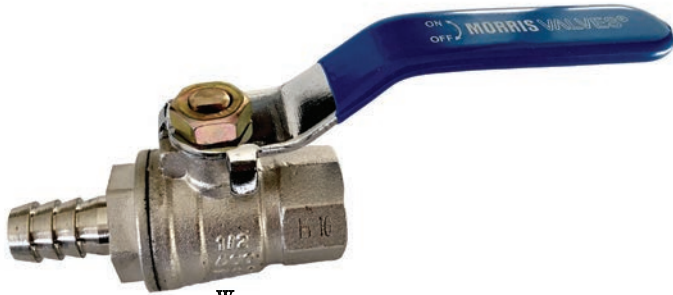
2B400 TIPO



TAMAÑO: 1/4" - 4"
 2 CUERPOS / 2 PIECES
 CONEXION ROSCADA/SCREWED END
 CE APPROVED

COMO ORDENAR/ HOW TO ORDER

2B400 - MATERIAL DEL CUERPO - FT - TAMAÑO - CONEXION



CARACTERISTICAS:

- * PASO COMPLETO
- * 400 PSI W.O.G.
- * 2- CUERPOS
- * VASTAGO A PRUEBA DE FUGAS
- * CERTIFICADO DE CALIDAD PARA LOS MATERIALES Y PRUEBAS: EN 10254-3.1
- * PRUEBA DE PRESION PARA CADA VALVULA.
- * GARANTIA DE 12 MESES
- * CONEXION ROSCADA CUMPLIENDO CON:
 - ANSI/ASME B1.20.1 (NPT)
 - BS21:1973, DIN259/2999, ISO228

MATERIALES:

- * ASTM B283 BRONCE (DESNUDO O NIQUELADO)

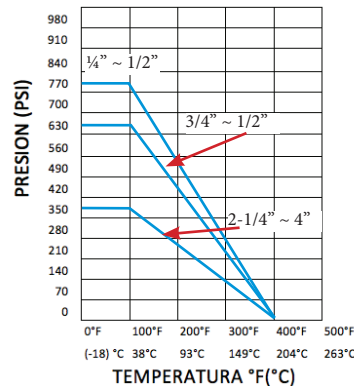
OPCIONAL:

- * BRIDA DE MONTAJE

PRINCIPALES APLICACIONES:

- * LINEAS DE AGUA, DOMESTICA, INDUSTRIAL, AGRICULTURA.
- * LINEAS DE AIRE EN "CAR WASH"
- * JARDINERIA
- * MULTIPLES USOS EN GENERAL.

PRESION - TEMPERATURA
 2B4002K TAMAÑO: 1/4" - 4"



TAMAÑO	ØD	L	H	W	PESO
Size		Largo/Length	Altura/Height	Ancho/Width	Weight (Gr)
1/4"	10	46	39	73	130
3/8"	10	46	39	73	120
1/2"	14	53	47	90	160
3/4"	18	63	51	102	230
1"	23	72	57	116	410
1-1/4"	30	78	63	134	620
1-1/2"	35	86	76	134	860
2"	43	100	83	166	1.39
2-1/2"	56	127	114	225	3.30
3"	65	140	120	260	4.10
4"	79	187	136	260	7.35

Nota: Dimensiones en Pulgadas / Note: All dimensions in inch

LISTA DE MATERIALES		
No	PARTE	MATERIAL
1	CUERPO	ASTM-B283 (NAKED/NICKEL PLATED)
2	CUBIERTA	ASTM- B283 BRASS (NAKED / PLATED)
3	BOLA	ASTM- B283 CHROME PLATED
4	ASIENTO DE LA BOLA	PTFE
5	VASTAGO	ASTM B283 FORGED BRASS
6	O - RING	NBR
7	PALANCA	STEEL
8	TUERCA DEL VASTAGO	STEEL

2B400G TIPO

CARACTERISTICAS PRINCIPALES:

- * PASO COMPLETO
- * 400 PSI W.O.G.
- * 2- CUERPOS
- * VASTAGO CON TUERCA PRENSA EMPAQUE.
- * VASTAGO A PRUEBA DE FUGAS.
- * CERTIFICADO DE CALIDAD PARA MATERIALES Y PRUEBAS: EN 10254-3.1
- * PRUEBA API 598 PARA CADA VALVULA.
- * GARANTIA DE 12 MESES
- * CONEXION ROSCADA CUMPLIENDO CON:
 - ANSI/ASME B1.20.1 (NPT)
 - BS21:1973, DIN259/2999, ISO228

MATERIALES:

- * ASTM B283 BRONCE (DESNUDO O NIQUELADO)

OPTIONAL:

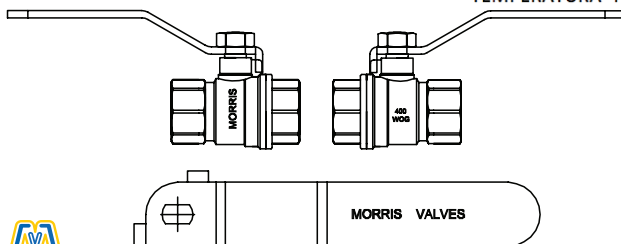
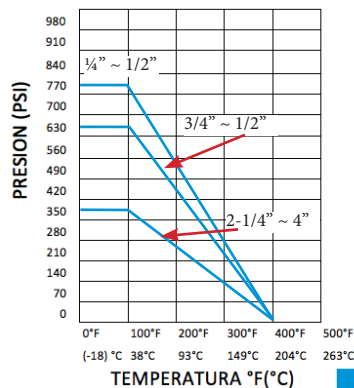
- * BRIDA DE MONTAJE PARA ACTUADORES

APLICACIONES PRINCIPALES:

- * GAS NATURAL. RESIDENCIAL.
- * INDUSTRIA DE LA CONSTRUCCION
- * AGRICULTURA.
- * LAVADO DE AUTOS
- * MULTIPLES APLICACIONES

NOMINAL ØD SIZE	L	H	W	Weight (gr)
1/4"	10	46	39	73
3/8"	10	46	39	120
1/2"	14	53	47	160
3/4"	18	63	51	230
1"	23	72	57	410
1-1/4"	30	78	63	620
1-1/2"	35	86	76	860
2"	43	100	83	1.39
2-1/2"	56	127	114	3.30
3"	65	140	120	4.10
4"	79	187	136	7.35

PRESION - TEMPERATURA
2B4002K TAMAÑO: 1/4" - 4"

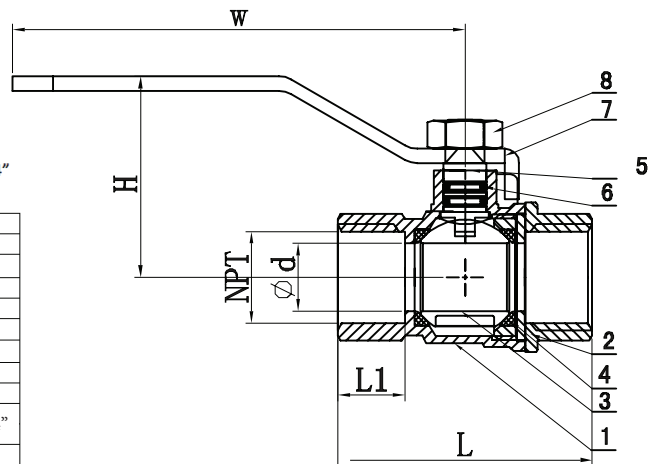


TAMAÑOS: 1/4" - 4"



COMO ORDENAR

MATERIAL DEL CUERPO TAMAÑO CONEXION
2B400G - - FT - -



PARTE	MATERIAL
1 CUERPO	ASTM-B283 (NAKED /NICKEL PLATED)
2 CUBIERTA	ASTM- B283 BRASS (NAKED / PLATED)
3 BOLA	ASTM- B283 CHROME PLATED
4 ASIENTO DE LA BOLA	PTFE
5 VASTAGO	ASTM B283 FORGED BRASS
6 O - RING	NBR
7 PALANCA	STEEL
8 TUERCA DEL VASTAGO	STEEL



A Tradition of Quality

Our passion is to develop solutions for difficult situations in Industrial Applications, no matter how large or small the project.

"A cleaner world, one project at a time"

