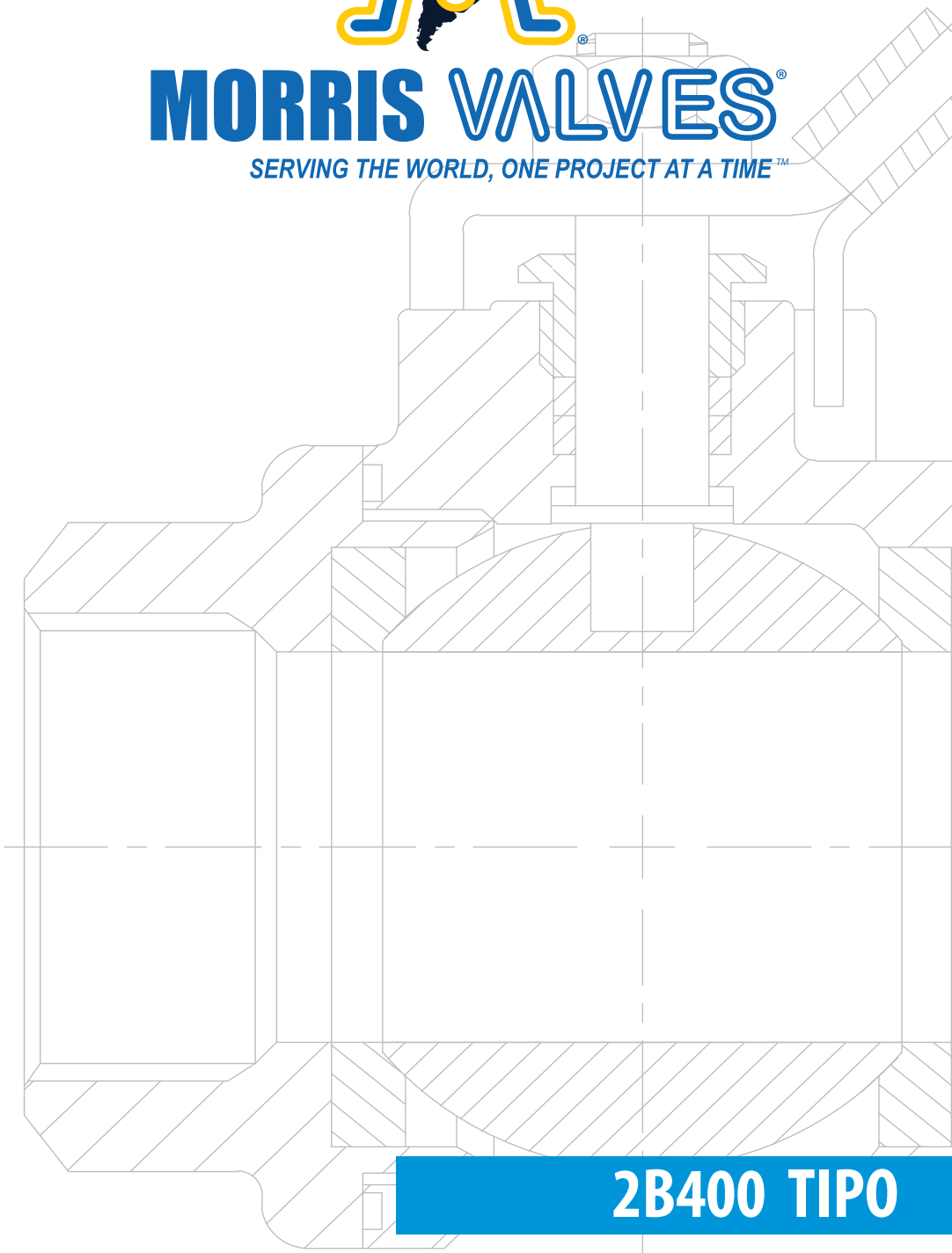




**MORRIS VALVES®**

SERVING THE WORLD, ONE PROJECT AT A TIME™



**2B400 TIPO**

[www.morrisvalve.com](http://www.morrisvalve.com)



In 1984, our journey into the business of repairing valves and industrial instrumentation began. That journey has led us to represent and service well known American brands and companies. In early 2000, our experience and growing passion for the valve industry encouraged our decision to launch our own brand, Morris Valves. Starting with the highly requested Ball Valves, the brand has been based on the principal of quality and performance to match our customers' needs. Our high standards of production later lead us to incorporate other models such as Gate Valve and Check Valves to our production. These additions were carefully selected to match our Standard of Quality. Our success has been driven by our belief of "Tradition with Quality" in everything we do. Our products are developed with that belief which drives our growth and guides the service we provide to our customers.

## Mision

Our mission is to use our highly trained, highly focused, and extremely motivated staff to work with manufacturers who value quality and have the vision for new development and product applications to ensure the timely provision of goods and services related to valves, their components and industrial equipment in general. We maintain a rigorous standard of customer satisfaction, which will provide for the welfare of the company, the welfare of the countries we serve, and most importantly the sustainability of the planet.

## Contacts

### USA

**Address:** 5590 NW 84 Ave. Miami, FL 33166

**Telephone:** +1(305) 593-0443

**Fax:** +1(305)716-9912

**Email:** sales@morrisvalve.com

**Address:** 3303 FM 1960 Rd, Suite 320  
Houston TX,77068

**Telephone:** +1 (832) 666-5576

Cel: +1 (786) 779-7469

**Email:** sales@morrisvalve.com

### Venezuela - Puerto Ordaz

**Address:** Zona Industrial los Pinos, Manzana 7 Parcela  
10, Puerto Ordaz, Edo. Bolívar.

**Telephone:** +58(286)994-2996

**Fax:** +58(286)994-4162

### Venezuela - Valencia

**Address:** Zona Industrial Municipal Norte, Av Norte  
Sur, entre calles 86 y 84. Edif. BOUPA II, ofc. # 5  
Valencia, Edo. Carabobo

**Telephone:** +58(241)838-6020

**Fax:** +58(241)838-7919

## Vision

Our vision is to be amongst the leading corporations in the supply of goods and services related to valves, their components and industrial equipment in general. We want to conquer new markets in conformity with international standards and remain committed to customer satisfaction, the welfare of our company and the sustainability of our planet.

*"Serving the world, one project at a time"*

# 2B400G TIPO

## CARACTERISTICAS PRINCIPALES:

- \* PASO COMPLETO
- \* 400 PSI W.O.G.
- \* 2- CUERPOS
- \* VASTAGO CON TUERCA PRENSA EMPAQUE.
- \* VASTAGO A PRUEBA DE FUGAS.
- \* CERTIFICADO DE CALIDAD PARA MATERIALES Y PRUEBAS: EN 10254-3.1
- \* PRUEBA API 598 PARA CADA VALVULA.
- \* GARANTIA DE 12 MESES
- \* CONEXION ROSCADA CUMPLIENDO CON:
  - ANSI/ASME B1.20.1 (NPT)
  - BS21:1973, DIN259/2999, ISO228

## MATERIALES:

- \* ASTM B283 BRONCE (DESNUDO O NIQUELADO)

## OPTIONAL:

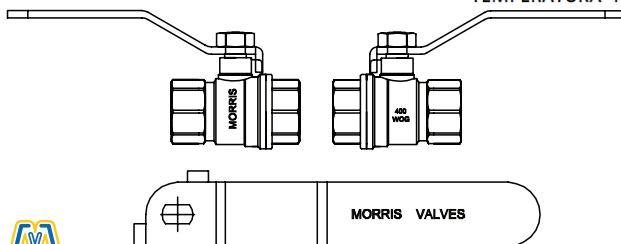
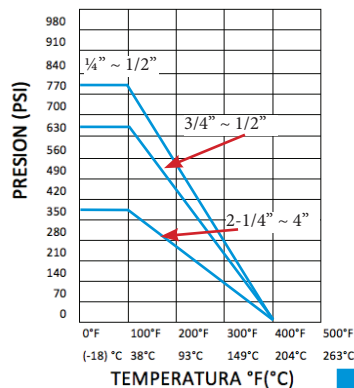
- \* BRIDA DE MONTAJE PARA ACTUADORES

## APLICACIONES PRINCIPALES:

- \* GAS NATURAL. RESIDENCIAL.
- \* INDUSTRIA DE LA CONSTRUCCION
- \* AGRICULTURA.
- \* LAVADO DE AUTOS
- \* MULTIPLES APLICACIONES

NOMINAL ØD SIZE	L	H	W	Weight (gr)
1/4"	10	46	39	73
3/8"	10	46	39	120
1/2"	14	53	47	160
3/4"	18	63	51	230
1"	23	72	57	410
1-1/4"	30	78	63	620
1-1/2"	35	86	76	860
2"	43	100	83	1.39
2-1/2"	56	127	114	3.30
3"	65	140	120	4.10
4"	79	187	136	7.35

PRESION - TEMPERATURA  
2B4002K TAMAÑO: 1/4" - 4"

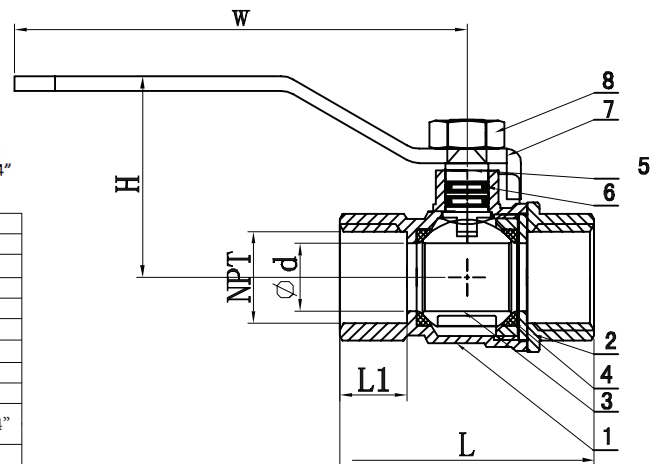


TAMAÑOS: 1/4" - 4"



## COMO ORDENAR

MATERIAL DEL CUERPO TAMAÑO CONEXION  
2B400G -  - FT -  -



PARTE	MATERIAL
1 CUERPO	ASTM-B283 (NAKED /NICKEL PLATED)
2 CUBIERTA	ASTM- B283 BRASS (NAKED / PLATED)
3 BOLA	ASTM- B283 CHROME PLATED
4 ASIENTO DE LA BOLA	PTFE
5 VASTAGO	ASTM B283 FORGED BRASS
6 O - RING	NBR
7 PALANCA	STEEL
8 TUERCA DEL VASTAGO	STEEL



*A Tradition of Quality*

*Our passion is to develop  
solutions for difficult situations in  
Industrial Applications, no matter  
how large or small the project.*

*"A cleaner world, one project at a time"*

