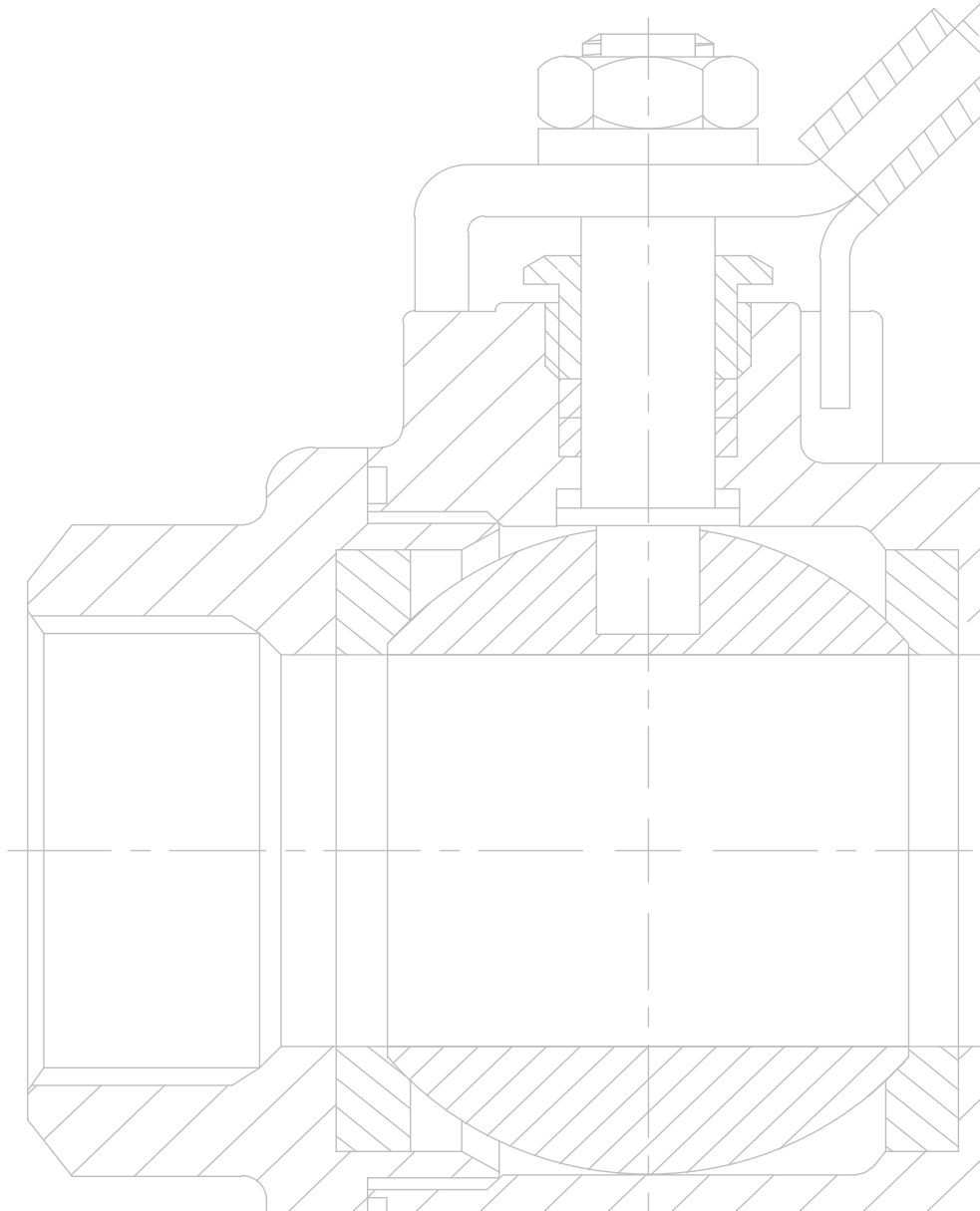




MORRIS VALVES

A CLEANER WORLD, ONE PROJECT AT A TIME



API6D CHECK VALVE

www.morrisvalve.com



In 1984, our journey into the business of repairing valves and industrial instrumentation began. That journey has led us to represent and service well known American brands and companies. In early 2000, our experience and growing passion for the valve industry encouraged our decision to launch our own brand, Morris Valves. Starting with the highly requested Ball Valves, the brand has been based on the principal of quality and performance to match our customers' needs. Our high standards of production later lead us to incorporate other models such as Gate Valve and Check Valves to our production. These additions were carefully selected to match our Standard of Quality. Our success has been driven by our belief of "Tradition with Quality" in everything we do. Our products are developed with that belief which drives our growth and guides the service we provide to our customers.

Our vision is to be amongst the leading corporations in the supply of goods and services related to valves, their components and industrial equipment in general. We want to conquer new markets in conformity with international standards and remain committed to customer satisfaction, the welfare of our company and the sustainability our planet.

Mision

Our mission is to use our highly trained, highly focused, and extremely motivated staff to work with manufacturers who value quality and have the vision for new development and product applications to ensure the timely provision of goods and services related to valves, their components and industrial equipment in general. We maintain a rigorous standard of customer satisfaction, which will provide for the welfare of the company, the welfare of the countries we serve, and most importantly the sustainability of the planet.

Contacts

USA

Address: 5590 NW 84 Ave. Miami, FL 33166

Telephone: +1(305) 593-0443

Fax: +1(305)716-9912

Email: sales@morrisvalve.com

Address: 8300 FM 1960 West Suite 450
Houston TX. 77070

Telephone: +1(281) 671 6840

Cel: +1(832) 710 0413

Email: sales@morrisvalve.com

Venezuela - Puerto Ordaz

Address: Zona Industrial Los Pinos, Manzana 7,
Parcela 10, Puerto Ordaz, Edo. Bolívar.

Telephone: +58(286)994-2996

Fax: +58(286)994-4162

Venezuela - Valencia

Address: Zona Industrial Municipal Norte, Av Norte
Sur, entre calles 86 y 84. Edif. BOUPA II, ofic. # 5.,
Valencia, Edo. Carabobo

Telephone: +58(241)838-6020

Fax: +58(241)838-7919

Vision

"A cleaner world, one project at a time"

DCKV-TYPE

DUAL PLATE CHECK VALVE.
 RATING: CLASS (150 - 2500)
 END: FLANGED / BUTT WELDING
 SIZE: (2 – 36)" / FULL PORT PIGGABLE

SPECIFICATIONS:

-DESIGN:

*API 6D / API 594/ANSI B16.34/
 ISO 14313

-SIZE:

*1-1/2" - 24", WAFER ENDS/ LUG
 ENDS/ FLANGED ENDS

-PRESSURE RATING:

*Class (150 – 900)

FACE - FACE:

*API6D/ ANSI/ASME B16.10

-END CONNECTION:

*ANSI/ASME B16.5/ ISO 7005-1

-TEST:

*Hydrostatic Tested 100% to API
 6D / API 598

FEATURES:

*Dual Plate Disc, Long Pattern.

*One Piece Body.

*Easy Maintenance. renewable
 Split Disc.

*Available a full range of Trim
 Materials to match any service.

*Suitable for Horizontal & Vertical
 Up flow Installation.

*API6D Monogrammed.

*An austenitic stainless steel
 nameplate securely affixed and so
 located that it is easily accessible for
 the Identification.

*Inspection Certificate EN 10204-3.1,
 traceable to the Unique Valve Serial
 Number is provided, containing:

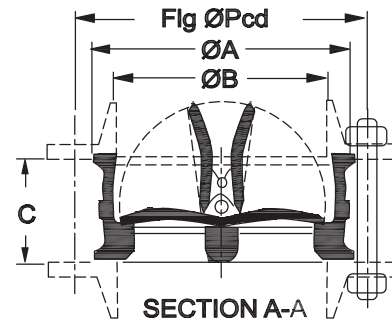
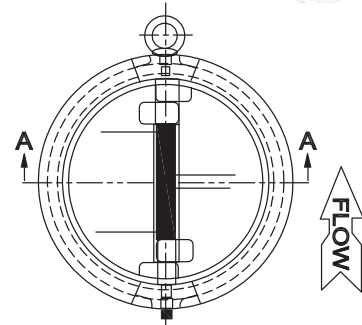
- Physical & Chemical Material Test
 Report for Bonnet, Body and End
 Connection.

- Pressure Test Result in Compliance
 with: API6D – 2008

*NDT or NDE Shall be performed if
 specified by the Customer on the RFQ.



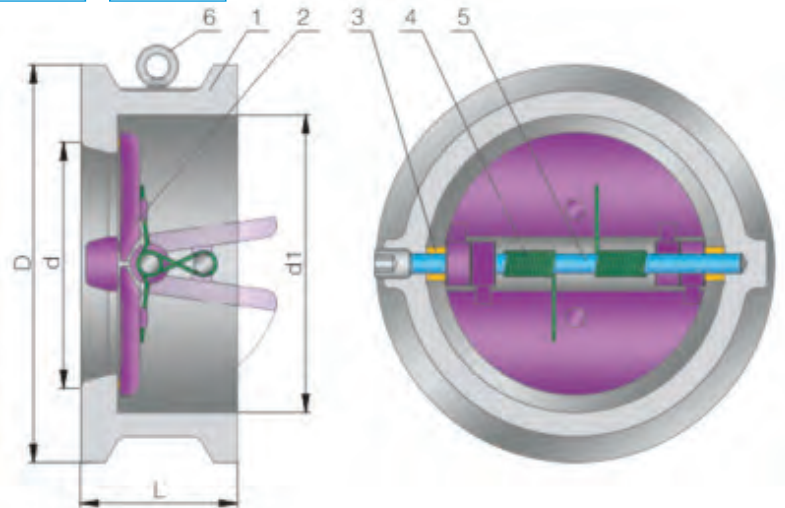
CE APPROVED



HOW TO ORDER

BODY MATERIAL DISC MATERIAL SPRING MATERIAL SIZE RATING
 DCKV - - - -

PARTS & MATERIALS		CARBON	CARBON	LOW
		STEEL	STEEL	TEMP STEEL
1	BODY	A216 WCB	A351 CF8M	A351 CF8M
2	PLATE	A216 WCB	A351 CF8M	A351 CF8M
3	STOP PIN	A276 420	A276 304	A276 304
4	BACK SPRING	A313 304	A313 316	A313 316
5	HINGE PIN	A276 420	A276 304	A276 304
6	EYE BOLT 1	CARBON STEEL		



MORRIS VALVES
 A CLEANER WORLD. ONE PROJECT AT A TIME

NPS (INCH)	1-1/2"	2"	2-1/2"	3"	4"	6"	8"	10"	12"	14"	16"	18"	20"	24"
(Class 150)														
L	1.69	2.38	2.62	2.88	2.88	3.88	5.00	5.75	7.12	7.25	7.50	8.00	8.62	8.75
D	3.62	4.00	4.88	5.38	6.75	8.62	10.88	13.25	16.00	17.62	20.12	21.50	23.75	28.12
d	2.00	2.00	2.50	3.25	4.00	6.00	8.00	10.00	12.00	13.75	15.75	17.75	19.75	23.62
d1	2.25	2.25	2.88	3.50	4.25	6.25	8.25	10.50	12.12	14.00	16.00	18.00	19.88	23.75
Wt(Kg)	1.5	2	3	4	6	13	25	39	54	80	117	138	163	331

NPS (INCH)	1-1/2"	2"	2-1/2"	3"	4"	6"	8"	10"	12"	14"	16"	18"	20"	24"
(Class 300)														
L	1.69	2.38	2.62	2.88	2.88	3.88	5.00	5.75	7.12	8.75	9.12	10.38	11.50	12.50
D	3.62	4.25	5.00	5.75	7.00	9.88	12.00	14.12	16.50	19.00	21.12	23.38	25.62	30.38
d	2.00	2.00	2.50	3.00	4.00	6.00	8.00	10.00	12.00	14.00	16.00	18.00	20.00	24.00
d1	2.25	2.25	2.88	3.50	4.25	6.38	8.25	10.50	12.25	14.00	16.00	18.00	20.00	24.00
Wt(Kg)	1.5	3	4	6	8	18	31	51	77	117	190	200	265	410

NPS (INCH)	1-1/2"	2"	2-1/2"	3"	4"	6"	8"	10"	12"	14"	16"	18"	20"	24"
(Class 600)														
L	1.69	2.38	2.62	2.88	3.12	5.38	6.50	8.38	9.00	10.75	12.00	-	-	-
D	3.62	4.38	5.00	5.75	7.50	10.38	12.50	15.62	17.88	19.25	22.12	-	-	-
d	2.00	2.00	2.50	3.00	4.00	6.00	7.88	9.88	12.00	13.25	15.25	-	-	-
d1	2.25	2.25	2.88	3.50	4.25	6.38	8.38	10.50	12.25	14.00	15.75	-	-	-
Wt(Kg)	1.5	4	5	8	11	26	55	95	140	223	360	-	-	-

NPS (INCH)	1-1/2"	2"	2-1/2"	3"	4"	6"	8"	10"	12"	14"	16"	18"	20"	24"
(Class 900)														
L	-	2.75	3.25	3.25	4.00	6.25	8.12	9.50	11.50	-	-	-	-	-
D	-	5.50	6.38	6.50	8.00	11.25	14.00	17.00	19.50	-	-	-	-	-
d	-	2.00	2.50	3.00	4.00	6.00	7.88	9.88	12.00	-	-	-	-	-
d1	-	2.25	2.88	3.50	4.25	6.38	8.38	10.50	12.25	-	-	-	-	-
Wt(Kg)	-	8	11	14	20	42	84	45	220	-	-	-	-	-



A Tradition of Quality

*Our passion is to develop
solutions for difficult situations in
Industrial Applications, no matter
how large or small the project.*

"A cleaner world, one project at a time"

