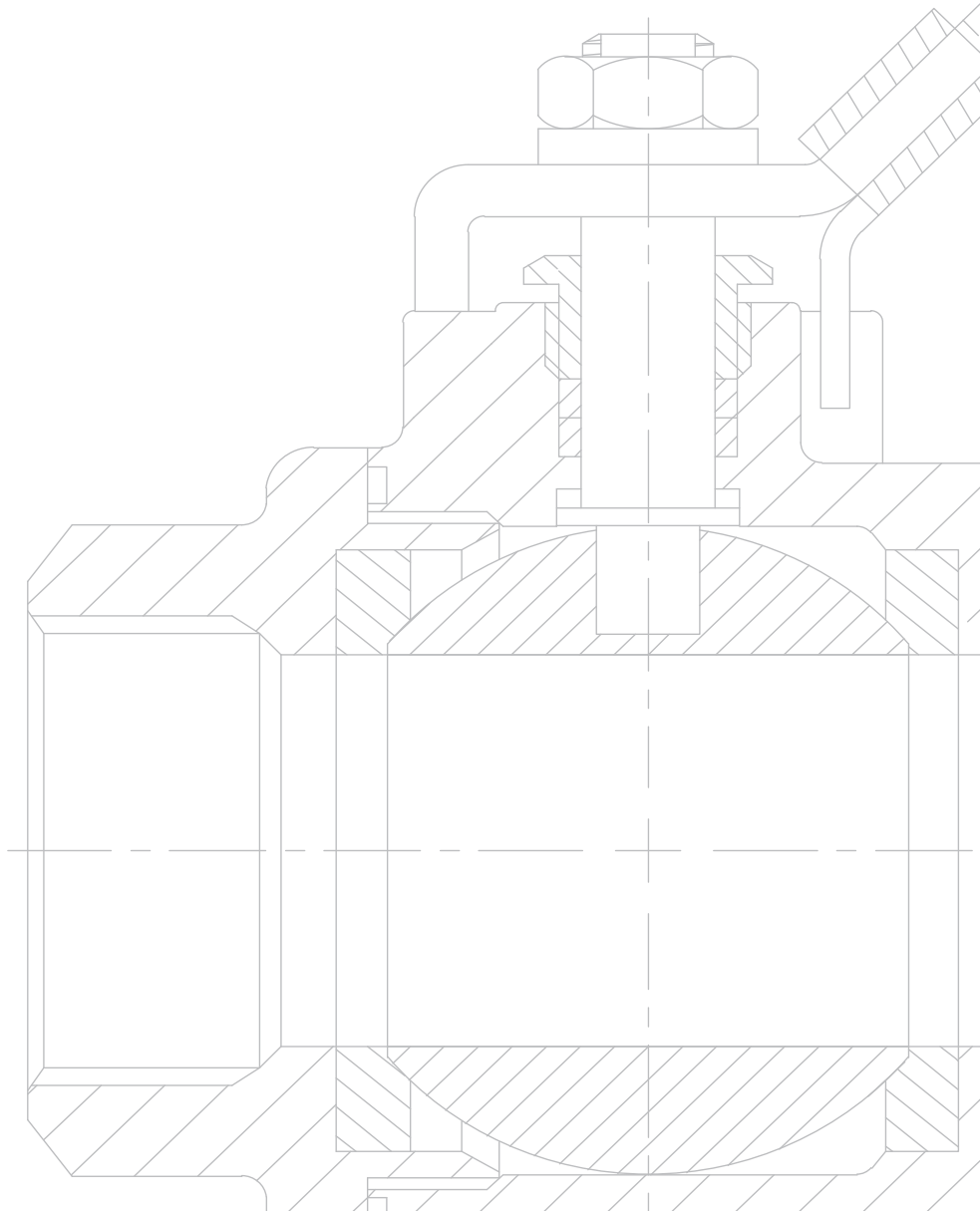




MORRIS VALVES

A CLEANER WORLD, ONE PROJECT AT A TIME



API6D CHECK VALVE

www.morrisvalve.com



In 1984, our journey into the business of repairing valves and industrial instrumentation began. That journey has led us to represent and service well known American brands and companies. In early 2000, our experience and growing passion for the valve industry encouraged our decision to launch our own brand, Morris Valves. Starting with the highly requested Ball Valves, the brand has been based on the principal of quality and performance to match our customers' needs. Our high standards of production later lead us to incorporate other models such as Gate Valve and Check Valves to our production. These additions were carefully selected to match our Standard of Quality. Our success has been driven by our belief of "Tradition with Quality" in everything we do. Our products are developed with that belief which drives our growth and guides the service we provide to our customers.

Our vision is to be amongst the leading corporations in the supply of goods and services related to valves, their components and industrial equipment in general. We want to conquer new markets in conformity with international standards and remain committed to customer satisfaction, the welfare of our company and the sustainability our planet.

Mision

Our mission is to use our highly trained, highly focused, and extremely motivated staff to work with manufacturers who value quality and have the vision for new development and product applications to ensure the timely provision of goods and services related to valves, their components and industrial equipment in general. We maintain a rigorous standard of customer satisfaction, which will provide for the welfare of the company, the welfare of the countries we serve, and most importantly the sustainability of the planet.

Contacts

USA

Address: 5590 NW 84 Ave. Miami, FL 33166

Telephone: +1(305) 593-0443

Fax: +1(305)716-9912

Email: sales@morrisvalve.com

Address: 8300 FM 1960 West Suite 450
Houston TX. 77070

Telephone: +1(281) 671 6840

Cel: +1(832) 710 0413

Email: sales@morrisvalve.com

Venezuela - Puerto Ordaz

Address: Zona Industrial Los Pinos, Manzana 7,
Parcela 10, Puerto Ordaz, Edo. Bolívar.

Telephone: +58(286)994-2996

Fax: +58(286)994-4162

Venezuela - Valencia

Address: Zona Industrial Municipal Norte, Av Norte
Sur, entre calles 86 y 84. Edif. BOUPA II, ofic. # 5.,
Valencia, Edo. Carabobo

Telephone: +58(241)838-6020

Fax: +58(241)838-7919

Vision

"A cleaner world, one project at a time"

FCKV TYPE

SPECIFICATIONS:

-DESIGN:

*API 602 / ANSI B16.34

-SCREWED ENDS

*ASME B1.20.1

-FLANGED ENDS:

*ANSI/ASME B16.5

-BUTT-WELDING ENDS:

*ASME B16.25.

-SOCKET-WELDING ENDS:

*ASME B16.11

-TEST:

*HYDROSTATIC TESTED 100% TO API 598

FEATURES:

* By choosing different Materials can be suitable for applications like:

- Water, Steam.
- Nitric Acid, Acetic Acid.
- Oxidant Medium
- CO2

* Short Face to Face dimension, 1/4-1/8 of the conventional Check Valve.

* Small Volume and Weight.

* Bolted Bonnet, Choice of Welding Bonnet.

*Available a full range of Trim Materials to match any service.

* Suitable for Horizontal & Vertical Up flow Installation.

* Short disc Travel and quickly open/close response, Minimal water Hammer , low Impact force when close the valve.

* Inspection Certificat EN 10204-3.1, traceable to the Unique Valve Serial Number is provided, containing:

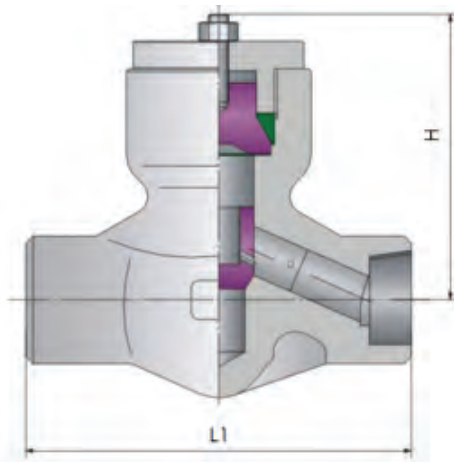
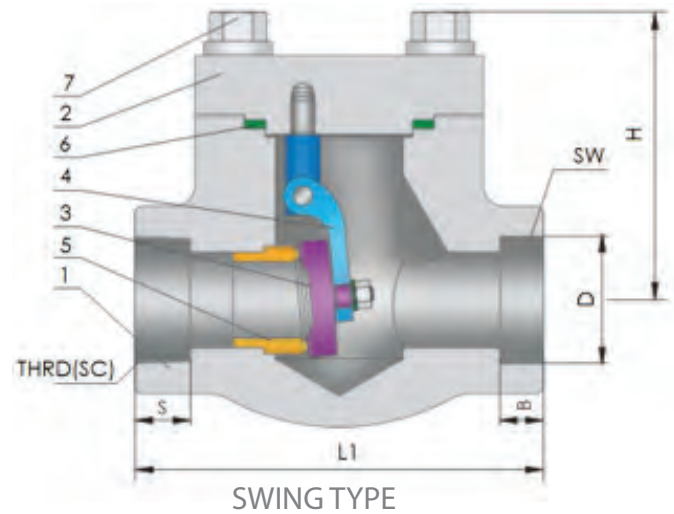
*Physical & Chemical Material Test Report for Bonnet, Body and Trim Materials.

* Pressure Test (SHELL TEST & SEAL TEST) Result in Compliance with: API598

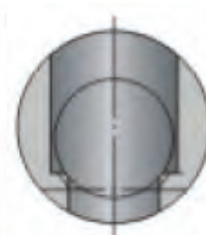
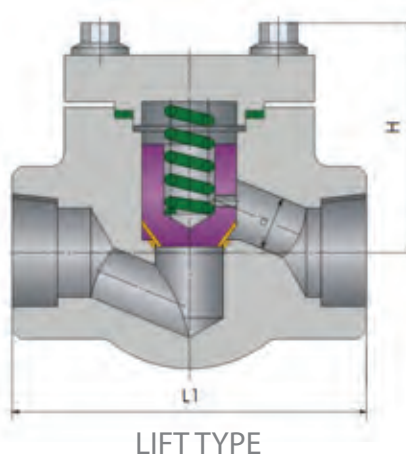
* NDT or NDE Shall be performed if specified by the Customer on the RFQ.



CE APPROVED



CLASS 900/1500/2500



PARTS & MATERIALS

PART	A105/ F6a	A105/F6aHFS	LF2/304	F11/F6aHF	304(L)/304(L)	316(L)/316(L)	F51/F51
1 BODY	A105	A105	LF2	F11	304(L)	316(L)	F51
2 BONNET	A105	A105	LF2	F11	304(L)	316(L)	F51
3 SEAT1	A276-410	A276-410HF	304	A276-410HF	304(L)	316(L)	F51
3 DISC	F6a	F6aHFS	304	F6aHF	304(L)	316(L)	F51
6 BONNET GASKET2	Graphite + 304	Graphite + 304	Graphite + 304	Graphite + 304	Graphite + 304(L)	Graphite+316(L)	Graphite + 304
7 BOLT	B7	B7	L7	B16	B8(M)	B8(M)	B8M
4 SPRING	304SS/316SS						
4 HINGE	A276-410	A276-410	304	A276-410	304	316	F51
HINGE PIN	A276-410	A276-410	304	A276-410	304	316	F51

Note.

1) Seat Ring integral with the Body for the Lift Check Valve Type.

2) Spiral Wound Construction.

PARTS & MATERIALS

NPS	CLASS	CLASS	CLASS											CLASS
	150	300	600											800
	FLANGED END							SW		SC (THRD)				Wt(Kg) FLG/SW,SC
	L			L1		H		d		D	B	NPT	S	
LIFT & SWING TYPE			LIFT TYPE	SWING TYPE	LIFT TYPE	SWING TYPE	LIFT TYPE	SWING TYPE	LIFT & SWING TYPE	LIFT & SWING TYPE	LIFT & SWING TYPE	LIFT & SWING TYPE		
1/4	-	-	-	79	79	61	61	7	8	17.6	9.6	1/4	13.6	3.8 / 2.8
3/8	102	152	165	79	79	61	61	9	10.5	17.6	9.6	3/8	13.6	3.8 / 2.8
1/2	108	152	165	92	92	61	61	13	13.5	21.8	9.6	1/2	13.6	5.6 / 3.4
3/4	117	178	190	111	111	78	78	17.5	18.0	27.1	12.7	3/4	13.9	7.8 / 4.7
1	127	203	216	120	120	84	84	23	24	33.8	12.7	1	17.3	12.5 / 9.2
1-1/4	140	216	229	152	129	84	84	29	30	42.6	12.7	1-1/4	18.0	17.0 / 10.5
1-1/2	165	229	241	172	140	118	120	35	36.5	48.7	12.7	1-1/2	18.4	23.5 / 13.3
2	203	267	292	200	178	132	133	45	46	61.10	15.9	2	19.2	38.8 / 18.9

CLASS 900/1500

NPS	L1		H		d		Wt(Kg)	
	LIFT TYPE	SWING TYPE	LIFT TYPE	SWING TYPE	LIFT TYPE	SWING TYPE	LT	ST
1/4	92	92	61	61	7	8	1.5	1.5
3/8	111	111	78	61	12	10.5	3.4	3.4
1/2	111	111	78	61	15	13.5	3.3	3.3
3/4	120	120	84	78	20	18	4.2	4.2
1	152	120	103	84	28	24	6.3	5.0
1-1/4	172	140	118	84	32	29	10.5	8.5
1-1/2	200	178	132	120	40	45	12.5	10.9
2(RP)	200	178	132	133	40	45	12.5	10.9

CLASS 900/1500

NPS	L1	H	d	Wt(Kg)
	PISTON TYPE			
1/4	-	-	-	-
3/8	140	117	12	7.5
1/2	140	117	15	7.0
3/4	140	117	20	6.8
1	178	152	28	18.5
1-1/4	216	195	32	20.3
1-1/2	216	195	40	22.0
2(RP)	216	195	40	22.0

CLASS 2500

NPS	L1	H	d	Wt(Kg)
	PISTON TYPE			
1/4	-	-	-	-
3/8	-	-	-	-
1/2	186	117	11	11.8
3/4	186	117	14	11
1	186	117	19	10.5
1-1/4	232	152	25	23
1-1/2	232	152	28	26.4
2(RP)	279	195	35	39



A Tradition of Quality

*Our passion is to develop
solutions for difficult situations in
Industrial Applications, no matter
how large or small the project.*

"A cleaner world, one project at a time"

