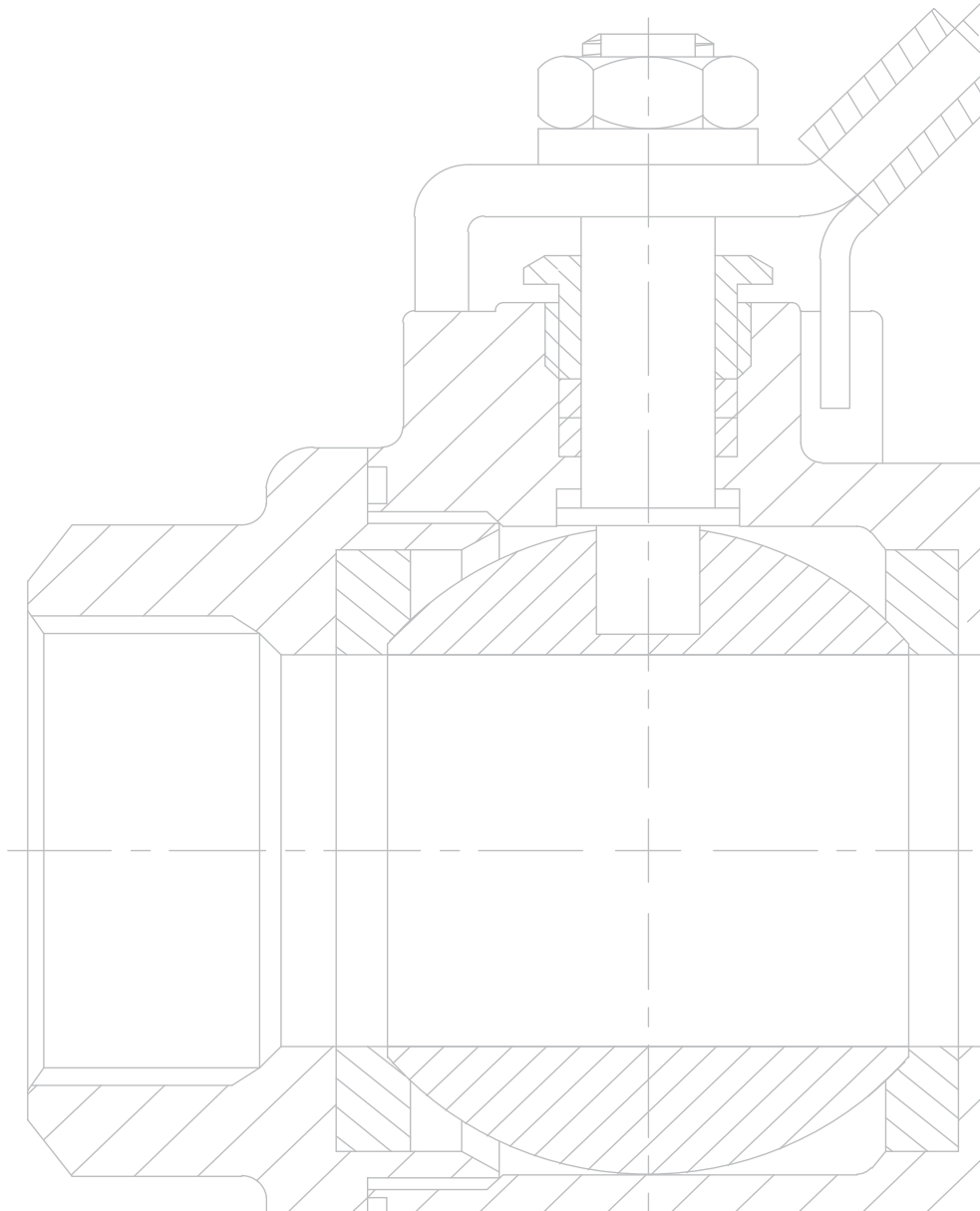




MORRIS VALVES

A CLEANER WORLD, ONE PROJECT AT A TIME



API6D CHECK VALVE

www.morrisvalve.com



In 1984, our journey into the business of repairing valves and industrial instrumentation began. That journey has led us to represent and service well known American brands and companies. In early 2000, our experience and growing passion for the valve industry encouraged our decision to launch our own brand, Morris Valves. Starting with the highly requested Ball Valves, the brand has been based on the principal of quality and performance to match our customers' needs. Our high standards of production later lead us to incorporate other models such as Gate Valve and Check Valves to our production. These additions were carefully selected to match our Standard of Quality. Our success has been driven by our belief of "Tradition with Quality" in everything we do. Our products are developed with that belief which drives our growth and guides the service we provide to our customers.

Our vision is to be amongst the leading corporations in the supply of goods and services related to valves, their components and industrial equipment in general. We want to conquer new markets in conformity with international standards and remain committed to customer satisfaction, the welfare of our company and the sustainability our planet.

Mision

Our mission is to use our highly trained, highly focused, and extremely motivated staff to work with manufacturers who value quality and have the vision for new development and product applications to ensure the timely provision of goods and services related to valves, their components and industrial equipment in general. We maintain a rigorous standard of customer satisfaction, which will provide for the welfare of the company, the welfare of the countries we serve, and most importantly the sustainability of the planet.

Contacts

USA

Address: 5590 NW 84 Ave. Miami, FL 33166

Telephone: +1(305) 593-0443

Fax: +1(305)716-9912

Email: sales@morrisvalve.com

Address: 8300 FM 1960 West Suite 450
Houston TX. 77070

Telephone: +1(281) 671 6840

Cel: +1(832) 710 0413

Email: sales@morrisvalve.com

Venezuela - Puerto Ordaz

Address: Zona Industrial Los Pinos, Manzana 7,
Parcela 10, Puerto Ordaz, Edo. Bolívar.

Telephone: +58(286)994-2996

Fax: +58(286)994-4162

Venezuela - Valencia

Address: Zona Industrial Municipal Norte, Av Norte
Sur, entre calles 86 y 84. Edif. BOUPA II, ofic. # 5.,
Valencia, Edo. Carabobo

Telephone: +58(241)838-6020

Fax: +58(241)838-7919

Vision

"A cleaner world, one project at a time"

SCV TYPE

FULL PORT SWING CHECK VALVE.
 RATING: CLASS (150 - 2500)
 END: FLANGED / BUTT WELDING
 SIZE: (2 – 36)"/FULL PORT PIGGABLE

SPECIFICATIONS:

- * Design: API 6D / ANSI B16.34
- * Size: 2"-36", FULL PORT, PIGGABLE.
- * Pressure Rating: Class (150# – 2500#)
- *Face to Face: API6D/ ANSI/ASME B16.10
- * End Connection:
- RF/RTJ
- * ANSI/ASME B16.5 (2 – 24)".
- * ASME B16.47(MSS-SP-44)(24" – UP)
- Butt Welding (ANSI B16.25)
- * Test: Hydrostatic Tested 100% to API 6D / API 598.

FEATURES:

- * Full Bore, Piggable
- * Seat Rings: Separate heavy duty, full ported rings for easy maintenance available a full range of trim materials to match any service.
- * Bonnet Gasket:
- Male & female Joint (MFMJ) or Tongue and groove Joint (TGJ) are used for Class 150 to Class 600 Valves.
- RTJ for Class 900 and Up, Valves.
- * API6D Monogrammed.
- * Suitable for Horizontal & Vertical Up flow Installation.
- * An austenitic stainless steel nameplate securely affixed and so located that it is easily accessible for the Identification.
- * Inspection Certificate EN 10204 – 3.1, traceable to the unique valve serial number is provided, containing:
- Physical & Chemical material test report for bonnet, body and end connection.
- Pressure test result in compliance with: API6D – 2008
- * NDT or NDE Shall be performed if specified by the customer on the RFQ.

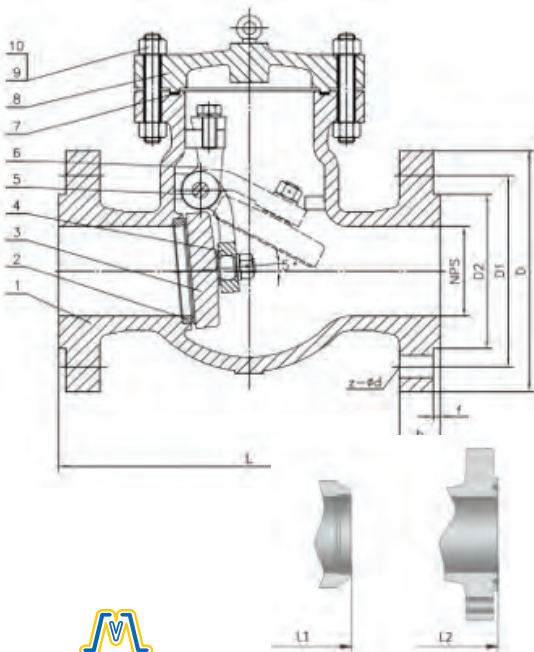


SIZE:

(2 – 36)"	FULL PORT	Class 150
(2 – 36)"	FULL PORT	Class 300
(2 – 24)"	FULL PORT	Class 600
(2 – 20)"	FULL PORT	Class 900
(2 – 16)"	FULL PORT	Class 1500
(2 – 12)"	FULL PORT	Class 2500

MATERIALS

BODY & BONNET	<input type="text"/>
DISC	<input type="text"/>
SEAT	<input type="text"/>
GASKET	<input type="text"/>
HINGE	<input type="text"/>
HINGE PIN	<input type="text"/>
O-RING	<input type="text"/>



PART	PARTS & MATERIALS		
	CARBON STEEL	STAINLESS STEEL	LOW TEMP STEEL
1 BODY	A216 WCB	A351CF8M/CF8	A352 - LCB
2 SEAT	WCB	A351CF8M/CF8 + STL	A352 - LCB
3 DISC1	ASTM A105 Deposited 13Cr	A351CF8M/CF8+ STL	A352 - LF2
4 HINGE	A216 WCB	A351CF8M/CF8	A352 - LCB
5 HINGE PIN	A 276 420	A276-316/304	A276 420
6 SUPPORT	A216 WCB	A351CF8M/CF8	A352 - LCB
7 BONNET GASKET	FLEXIBLE GRAPHITE + 304 / 316		
8 BONNET	A216 WCB	A351CF8M/CF8	A352 - LCB
9 BONNET BOLT	A193 Gr. B7	A193 B8	A320 Gr.L7
10 BONNET BOLT NUT	A194 Gr.2H	A194 8	A194 Gr.4

NOTES:

- 1) Cast Steel Disc for NPS 4 and UP
- 2) Eye Bolt for NPS6 & Larger
- 3) Disc & Seat Ring may either be solid facing Material or a base Material equal to or better than the Body/Bonnet Material with facing as shown.

HOW TO ORDER

SCV SIZE - RATINGS - END CONNECTION

MAIN EXTERNAL DIMENSIONS																		
NPS (INCH)	2	2-1/2	3	4	6	8	10	12	14	16	18	20	24	26	28	30	36	
(Class 150)																		
L/ L1 (RF)(BW)	8.00	8.50	9.50	11.50	14.00	19.50	24.50	27.50	31.00	34.00	38.50	38.50	51.00	51.00	57.00	60.00	77.00	
L2 (RTJ)	8.50	9.00	10.00	12.00	14.52	20.00	25.00	28.00	31.50	34.52	39.00	39.00	51.50	-	-	-	-	
H	6.00	6.50	6.88	8.00	11.50	13.86	15.38	17.00	18.75	20.62	22.88	24.62	34.75	35.88	37.00	38.62	48.00	
Wt (Kg)	RF/RTJ	14.00	20.00	25.00	40.00	71.00	118	177	263	353	542	632	855	970	1275	1600	1990	2760
	BW	10.0	12.0	17.0	29	57	96	143	227	295	468	552	755	831	1120	1420	1760	2230

NPS (INCH)	2	2-1/2	3	4	6	8	10	12	14	16	18	20	24	26	28	30	36	
(Class 300)																		
L/ L1 (RF)(BW)	10.50	11.50	12.50	14.00	17.50	21.00	24.50	28.00	33.00	34.00	38.50	40.00	53.00	53.00	59.00	62.75	82.00	
L2 (RTJ)	11.12	12.12	13.15	14.65	18.15	21.62	25.12	28.62	33.62	34.65	39.12	40.75	53.88	54.00	80.00	63.75	-	
H	6.00	6.50	6.88	8.00	11.50	13.88	15.38	17.00	18.75	20.62	22.88	24.62	34.75	35.88	37.00	38.62	48.00	
Wt (Kg)	RF/RTJ	16	23	29	46	82	136	204	302	405	625	730	985	1115	1465	1840	2290	3180
	BW	11	13	18	31	61	103	155	245	315	503	593	812	895	1205	1525	1895	2395

NPS (INCH)	2	2-1/2	3	4	6	8	10	12	14	16	18	20	24	26	28	30	36	
(Class 600)																		
L/ L1 (RF)(BW)	11.50	13	14	17	22	26	31	33	35	39	43	47	55	-	-	-	-	
L2 (RTJ)	11.62	13.12	14.12	17.12	22.12	26.10	31.10	33.12	36.12	39.12	43.12	47.25	55.38	-	-	-	-	
H	7.50	8.00	8.75	10.00	14.50	17.50	19.25	21.38	23.38	25.75	28.75	31.00	43.50	-	-	-	-	
Wt (Kg)	RF/RTJ	24	35	44	70	125	207	310	460	615	945	1105	1495	1695	-	-	-	-
	BW	16	19	26	44	87	147	220	350	452	720	845	1160	1280	-	-	-	-

NPS (INCH)	2	2-1/2	3	4	6	8	10	12	14	16	18	20	24	26	28	30	36	
(Class 900)																		
L/ L1 (RF)(BW)	14.50	16.50	15.00	18.00	24.00	29.00	33.00	38.00	40.50	44.50	48.00	52.00	-	-	-	-	-	
L2 (RTJ)	14.62	16.62	15.12	18.12	24.12	29.12	33.12	38.12	40.90	44.88	48.50	52.50	-	-	-	-	-	
H	9.50	10.00	11.00	12.50	18.12	22.00	24.00	26.50	29.38	32.00	33.50	38.75	-	-	-	-	-	
Wt (Kg)	RF/RTJ	37	54	68	109	195	321	481	711	956	1468	1870	2316	-	-	-	-	-
	BW	21	25	34	58w	115	194	290	461	597	950	1210	1533	-	-	-	-	-

NPS (INCH)	2	2-1/2	3	4	6	8	10	12	14	16	18	20	24	26	28	30	36	
(Class 1500)																		
L/ L1 (RF)(BW)	14.50	16.50	18.50	21.50	27.75	32.75	39.00	44.50	49.50	54.50	-	-	-	-	-	-	-	
L2 (RTJ)	14.62	16.62	18.62	21.62	28.00	33.15	39.40	45.12	50.25	55.35	-	-	-	-	-	-	-	
H	9.50	10.00	13.00	14.76	18.88	23.50	26.00	29.12	30.88	32.88	-	-	-	-	-	-	-	
Wt (Kg)	RF/RTJ	40	63	70	115	250	470	740	1100	1410	1600	-	-	-	-	-	-	-
	BW	29	47	49	84	152	310	470	710	910	1100	-	-	-	-	-	-	-

NPS (INCH)	2	2-1/2	3	4	6	8	10	12	14	16	18	20	24	26	28	30	36	
(Class 2500)																		
L/ L1 (RF)(BW)	17.75	20	22.75	26.50	36.00	40.25	50.00	56.00	-	-	-	-	-	-	-	-	-	
L2 (RTJ)	17.88	20.25	23.00	26.88	36.50	40.88	50.88	56.85	-	-	-	-	-	-	-	-	-	
H	10.75	13.25	13.75	15.12	19.50	24.62	28.00	35.62	-	-	-	-	-	-	-	-	-	
Wt (Kg)	RF/RTJ	50	76	85	165	460	900	1300	1800	-	-	-	-	-	-	-	-	-
	BW	35	65	68	115	225	580	860	1150	-	-	-	-	-	-	-	-	-



A Tradition of Quality

*Our passion is to develop
solutions for difficult situations in
Industrial Applications, no matter
how large or small the project.*

"A cleaner world, one project at a time"

