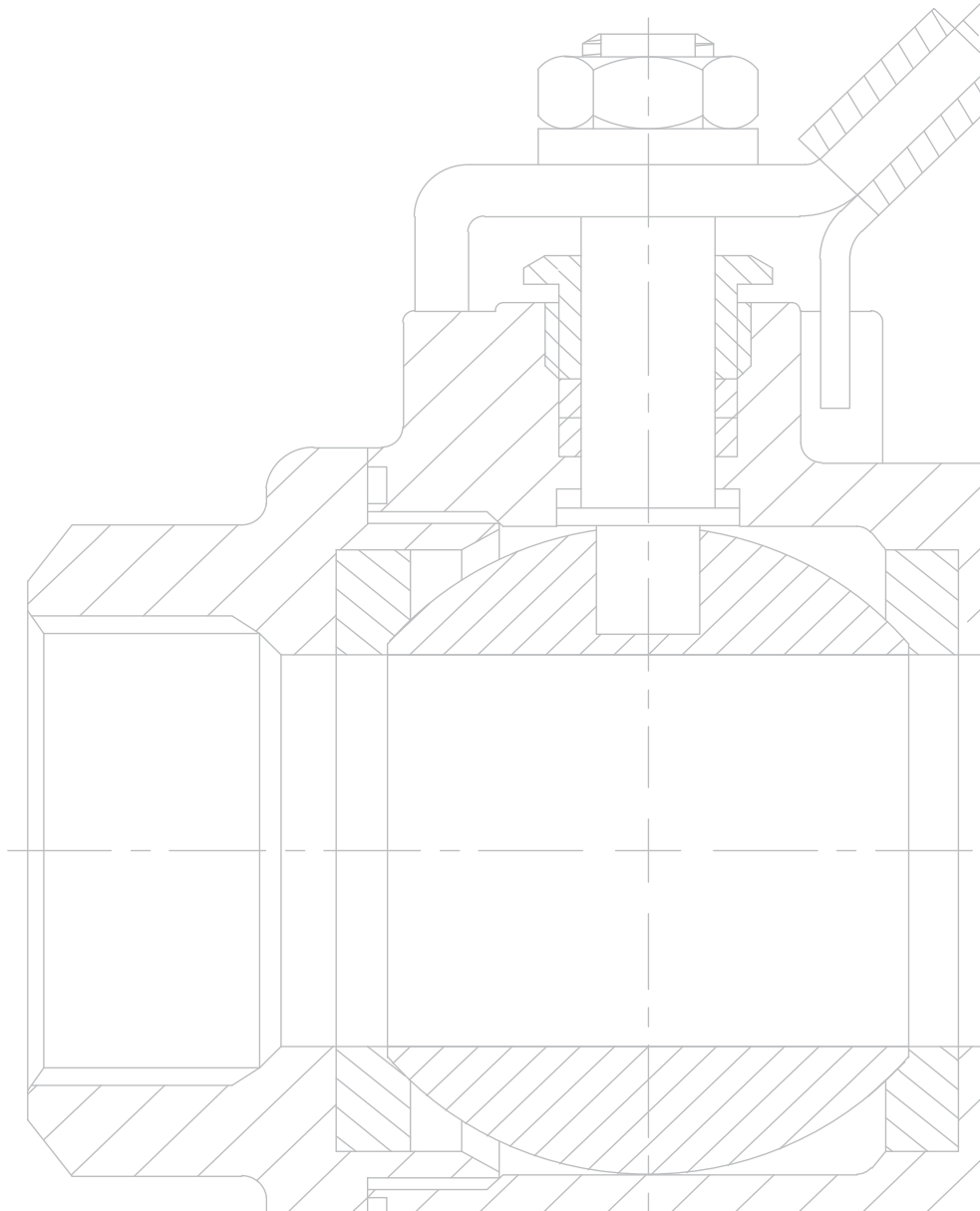




# MORRIS VALVES

*A CLEANER WORLD, ONE PROJECT AT A TIME*



**API6D, LUBRICATE PLUG VALVE**

[www.morrisvalve.com](http://www.morrisvalve.com)



In 1984, our journey into the business of repairing valves and industrial instrumentation began. That journey has led us to represent and service well known American brands and companies. In early 2000, our experience and growing passion for the valve industry encouraged our decision to launch our own brand, Morris Valves. Starting with the highly requested Ball Valves, the brand has been based on the principal of quality and performance to match our customers' needs. Our high standards of production later lead us to incorporate other models such as Gate Valve and Check Valves to our production. These additions were carefully selected to match our Standard of Quality. Our success has been driven by our belief of "Tradition with Quality" in everything we do. Our products are developed with that belief which drives our growth and guides the service we provide to our customers.

Our vision is to be amongst the leading corporations in the supply of goods and services related to valves, their components and industrial equipment in general. We want to conquer new markets in conformity with international standards and remain committed to customer satisfaction, the welfare of our company and the sustainability our planet.

## Mision

Our mission is to use our highly trained, highly focused, and extremely motivated staff to work with manufacturers who value quality and have the vision for new development and product applications to ensure the timely provision of goods and services related to valves, their components and industrial equipment in general. We maintain a rigorous standard of customer satisfaction, which will provide for the welfare of the company, the welfare of the countries we serve, and most importantly the sustainability of the planet.

## Contacts

### USA

**Address:** 5590 NW 84 Ave. Miami, FL 33166

**Telephone:** +1(305) 593-0443

**Fax:** +1(305)716-9912

**Email:** sales@morrisvalve.com

**Address:** 8300 FM 1960 West Suite 450  
Houston TX. 77070

**Telephone:** +1(281) 671 6840

**Cel:** +1(832) 710 0413

**Email:** sales@morrisvalve.com

### Venezuela - Puerto Ordaz

**Address:** Zona Industrial Los Pinos, Manzana 7,  
Parcela 10, Puerto Ordaz, Edo. Bolívar.

**Telephone:** +58(286)994-2996

**Fax:** +58(286)994-4162

### Venezuela - Valencia

**Address:** Zona Industrial Municipal Norte, Av Norte  
Sur, entre calles 86 y 84. Edif. BOUPA II, ofic. # 5.,  
Valencia, Edo. Carabobo

**Telephone:** +58(241)838-6020

**Fax:** +58(241)838-7919

## Vision

*"A cleaner world, one project at a time"*

INVERTED PRESSURE BALANCED  
LUBRICATED PLUG VALVE.

# IPV TYPE

FLANGED END/BUTT WELDING  
END/THREADED

## SPECIFICATIONS:

- \* Design Standard:
  - API6D/API599
  - ASME B16.34
- \* Face to face:
  - ASME B16.10
- \* End Connections:
  - FLANGED: ASME B16.5
  - BUTT WELDING: ASME B16.25
  - THREADED: ANSI/ASME B1.20.1
- \* Test : API 6D / API598
- \* Materials: NACE MR075. Sulfide stress cracking resistant metallic materials for oil field equipment
- \* Actuation: Lever, Handwheel, Worm Gear, Electrical, Pneumatic, Hydraulic

## FEATURES:

- \* Developed to be used in Manifolds and Production services of Oil Fields.
- \* Hard coated Plug and erosion resistant design.
- \* Internal sealant path to improve the sealant on the seats.
- \* Highly used in pipelines systems where the main fluids are: Gas, Oil and Petroleum derivate.
- \* Valve Position indicator, standard
- \* Fire safe conforms to API 6FA.
- \* Filed reparable



## SIZE:

(2 – 6)"/FULL PORT, CLASS (300# - 2500#)

**CE** APPROVED

## HOW TO ORDER

IPV -  -  -

### MAIN EXTERNAL DIMENSIONS

NPS (INCH)	2	2-1/2	3	4	6
(Class 300)					
L/ L1 (RF)(BW)	-	-	-	-	-
L2 (RTJ)	11.12	-	15.25	18.00	-
L3	-	-	-	-	-
d	2.00	-	3.00	4.00	-
H	6.88	-	7.48	9.64	-

NPS (INCH)	2	2-1/2	3	4	6
(Class 600)					
L/ L1 (RF)(BW)	10.25	11.63	12.00	-	-
L2 (RTJ)	13.00	15.12	17.50	22.00	26.00
L3	13.12	15.12	17.62	22.12	26.12
d	2.00	2.51	3.00	4.00	5.98
H	6.88	6.88	7.48	7.48	14.37

NPS (INCH)	2	2-1/2	3	4	6
(Class 900)					
L/ L1 (RF)(BW)	10.25	11.63	12.00	-	-
L2 (RTJ)	15.00	17.12	18.50	22.00	24.12
L3	15.12	17.12	18.62	22.12	24.00
d	1.85	2.24	2.87	3.85	5.74
H	6.88	6.68	7.48	7.48	14.37

NPS (INCH)	2	2-1/2	3	4	6
(Class 1500)					
L/ L1 (RF)(BW)	10.25	11.63	12.00	-	-
L2 (RTJ)	15.38	17.12	20.63	24.62	27.75
L3	15.50	17.12	20.75	24.75	28.00
d	1.85	2.24	2.75	3.62	5.35
H	6.88	6.68	9.64	15.74	17.71

## MATERIALS

BODY & BONNET	<input type="text"/>
PLUG	<input type="text"/>
GASKET	<input type="text"/>
HINGE	<input type="text"/>
PACKING	<input type="text"/>
STEM	<input type="text"/>
O-RING	<input type="text"/>

NPS (INCH)	2	2-1/2	3	4	6
(Class 2500)					
L/ L1 (RF)(BW)	-	-	-	-	-
L2 (RTJ)	17.75	20.12	22.75	-	-
L3	17.88	20.12	22.88	-	-
d	1.85	2.24	2.75	-	-
H	6.88	6.68	9.64	-	-

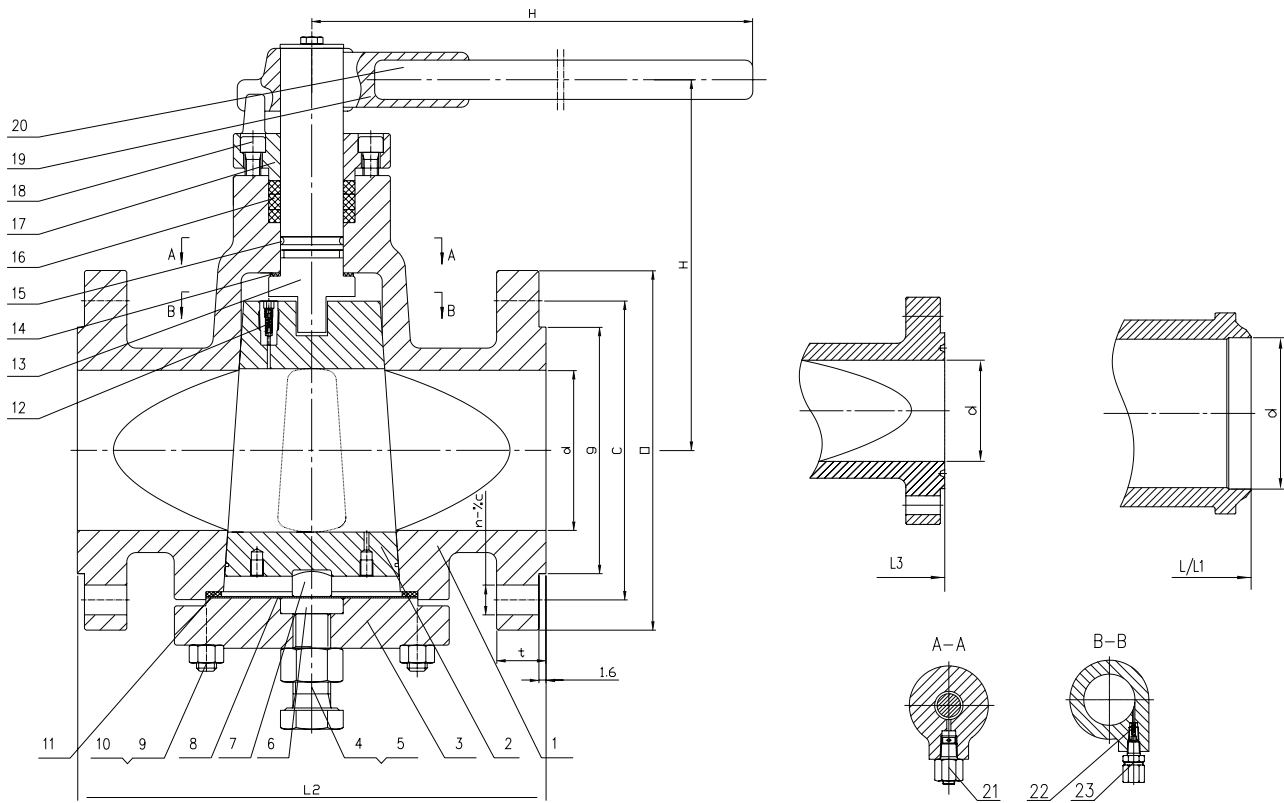


**MORRIS VALVES**  
A CLEANER WORLD, ONE PROJECT AT A TIME

www.morrisvalve.com

5590 N.W 84th Ave. Miami Fl. 33166. Phone: (305) 593 0443. \* Fax: (305) 716 9912

PART		PARTS & MATERIALS (ASTM/ANSI)		
1	BODY	A216 WCB	A351 – CF8	A351 – CF8M
2	PLUG	A182 F6a	A351 CF8	A351 CF8M
3	COVER (BONNET)	A216 WCB	A351 CF8	A351 CF8M
4	ADJUSTING BOLT	A193 B7	A193 B8M	A193 B8M
5	LOCK NUT	A194 2H	A194 8M	A194 8M
6	ADJUSTABLE BLOCK	A276 - 410	A182 F316	A182 F316
7	ADJUSTABLE BLOCK	A276 410	A182 F316	A182 F316
8	STEEL SPACER	A351 CF8	A351 CF8	A351 CF8M
9	BOLT	A193 – B7	A193 – B8M	A193 – B8M
10	NUT	A194 2H	A194 - 8	A194 – 8M
11	GASKET	Flexible Graphite + 304SST	Flexible Graphite + 304 SST	Flexible Graphite + 316 SST
12	BALL SPRING CHECK	316SS	316SS	316SS
13	STEM	A182 F6a	A182 F304	A182 F316
14	TRUST BEARING	PTFE	PTFE	PTFE
15	O - RING	Viton	Viton	Viton
16	PACKING	Flexible Graphite	Flexible Graphite	Flexible Graphite
17	PACKING GLAND	A 216 WCB	A351 CF8	A351 CF8M
18	GLAND CAP SCREW	A193 - B7	A193 – B8M	A193 – B8M
19	HUB	A216 WCB	A 216 WCB	A216 WCB
20	LEVER	A 570	A 570	A 570
21	STEM PACKING INJECTOR	Carbon Steel	Stainless Steel	Stainless Steel
22	LUBE SEALANT INJECTOR	Carbon steel	Stainless Steel	Stainless Steel
23	LUBE SEALANT CHECK	SS 304	SS316	SS316





*A Tradition of Quality*

*Our passion is to develop solutions for difficult situations in Industrial Applications, no matter how large or small the project.*

*"A cleaner world, one project at a time"*

