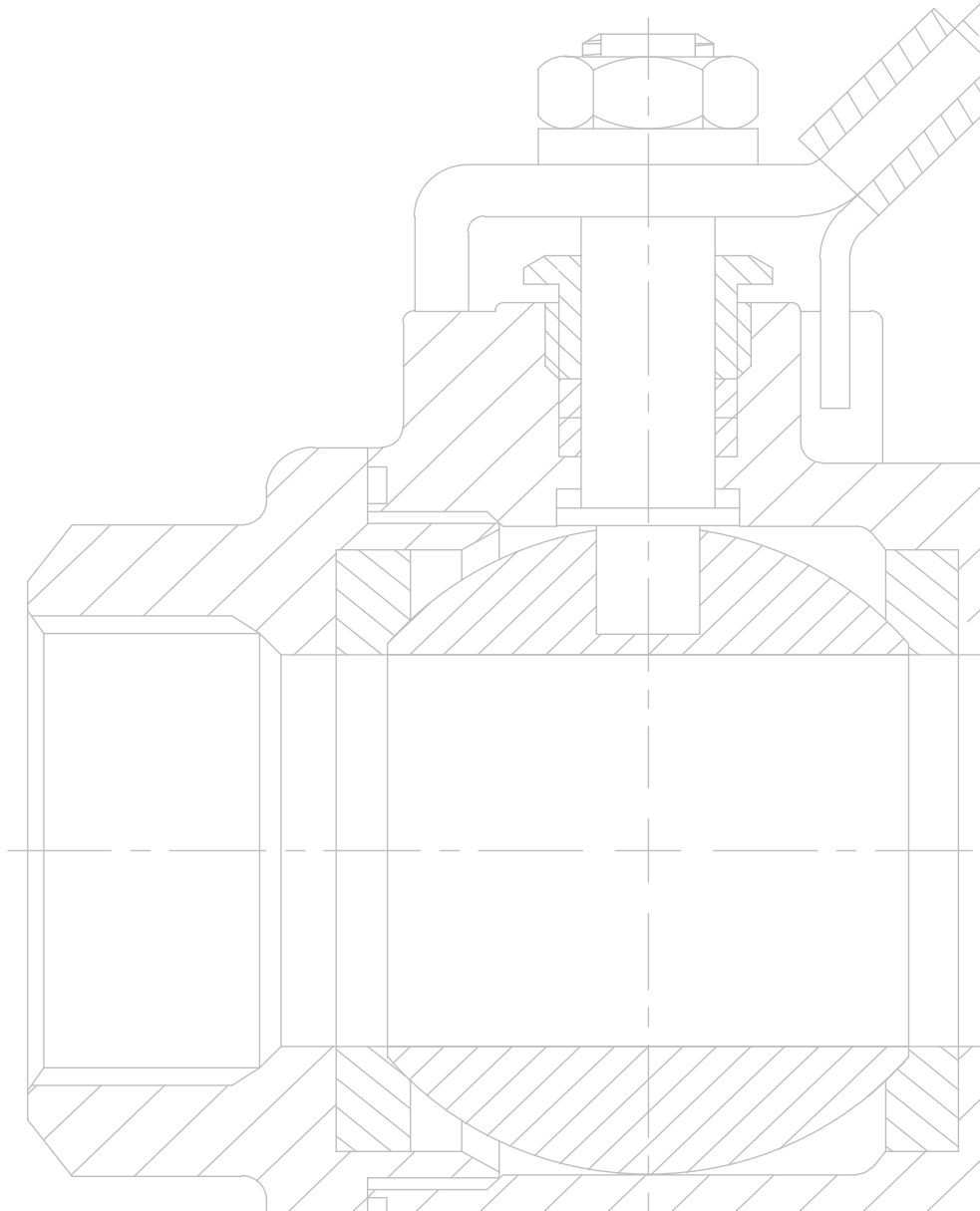




# MORRIS VALVES

*A CLEANER WORLD, ONE PROJECT AT A TIME*



**GLOBE VALVES. API 602 & BS 1873**

[www.morrisvalve.com](http://www.morrisvalve.com)



In 1984, our journey into the business of repairing valves and industrial instrumentation began. That journey has led us to represent and service well known American brands and companies. In early 2000, our experience and growing passion for the valve industry encouraged our decision to launch our own brand, Morris Valves. Starting with the highly requested Ball Valves, the brand has been based on the principal of quality and performance to match our customers' needs. Our high standards of production later lead us to incorporate other models such as Gate Valve and Check Valves to our production. These additions were carefully selected to match our Standard of Quality. Our success has been driven by our belief of "Tradition with Quality" in everything we do. Our products are developed with that belief which drives our growth and guides the service we provide to our customers.

## Mision

Our mission is to use our highly trained, highly focused, and extremely motivated staff to work with manufacturers who value quality and have the vision for new development and product applications to ensure the timely provision of goods and services related to valves, their components and industrial equipment in general. We maintain a rigorous standard of customer satisfaction, which will provide for the welfare of the company, the welfare of the countries we serve, and most importantly the sustainability of the planet.

## Contacts

### USA

**Address:** 5590 NW 84 Ave. Miami, FL 33166

**Telephone:** +1(305) 593-0443

**Fax:** +1(305)716-9912

**Email:** sales@morrisvalve.com

**Address:** 8300 FM 1960 West Suite 450  
Houston TX. 77070

**Telephone:** +1(281) 836-6133

**Cel:** +1(832) 710 0413

**Email:** sales@morrisvalve.com

### Venezuela - Puerto Ordaz

**Address:** Zona Industrial Los Pinos, Manzana 7,  
Parcela 10, Puerto Ordaz, Edo. Bolívar.

**Telephone:** +58(286)994-2996

**Fax:** +58(286)994-4162

### Venezuela - Valencia

**Address:** Zona Industrial Municipal Norte, Av Norte  
Sur, entre calles 86 y 84. Edif. BOUPA II, ofic. # 5.,  
Valencia, Edo. Carabobo

**Telephone:** +58(241)838-6020

**Fax:** +58(241)838-7919

## Vision

Our vision is to be amongst the leading corporations in the supply of goods and services related to valves, their components and industrial equipment in general. We want to conquer new markets in conformity with international standards and remain committed to customer satisfaction, the welfare of our company and the sustainability our planet.

*"A cleaner world, one project at a time"*

GLOBE VALVES  
 BS1873  
 CLASS 150#, CLASS 300#, CLASS 600#  
 API602  
 CLASS (800 - 2500)

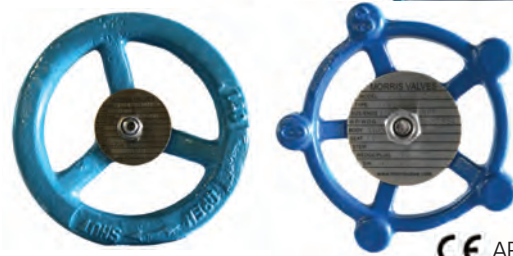
# GLV TYPE

## FEATURES:

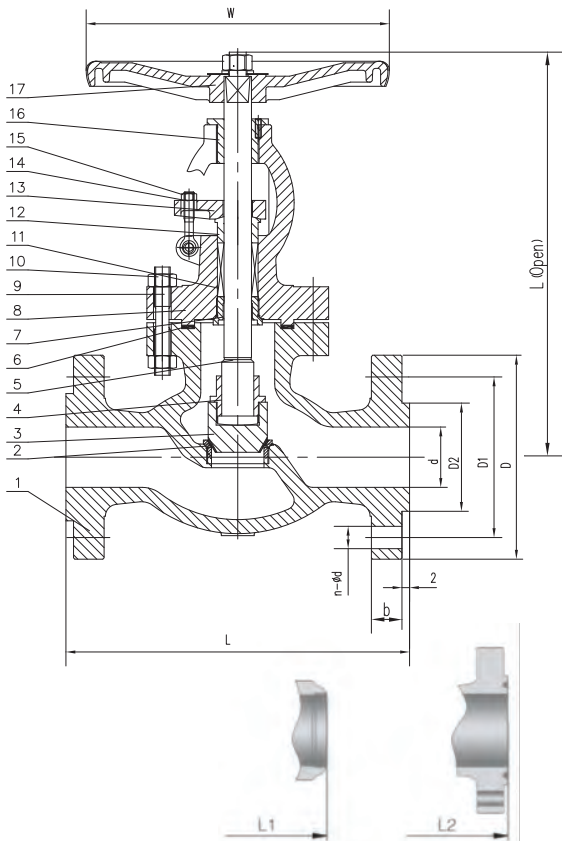
- \*Design standards.
  - API 602/BS5352/ASME B16.34 (3/8" - 2")
  - BS 1873/EN13709/ASME B16.34 (1/2" - 16)
- \*End connections.
  - SW : ASME B16.11/BS 12760
  - SC : ASME 1.20.1/ BS 21
  - BW : ASME B16.5
- \*Face to face dimensions.
  - ANSI B16.10
- \*End flange dimensions.
  - ANSI B16.5
- \*Certification.
  - INSPECTION CERTIFICATE ACC. TO EN 10204-3.1
  - TEST STANDARD: API 598



SIZE:  
3/8" - 16"



CE APPROVED



## HOW TO ORDER

STD DESIGN    BODY MATERIAL    TRIM MATERIAL    SIZE    END CONNECTION  
 GLV  -  -  -  -

API BS 1873 / ASME B16.34				
ASTM MATERIAL				
PART	C - Si	1/2Cr- 1/2Mo	Low Temp. Steel	
1	BODY	A216 WCB	A217 WC6	A352 LCB
2	SEAT RING	A105	A182 F11	A350 LF2
3	DISC	A105	A182 F11	A350 LF2
4	DISC NUT	A182 F6a	Cr Mo V	A182 F6a
5	STEM	A182 F6a	Cr Mo V	A182 F6a
6	BONNET GASKET	GRAPHITE + 304		
7	BACK SEAT	A276 420	A276 304	A276 420
8	BONNET	A216 WCB	A217 WC6	A352 LCB
9	BONNET STUD	A193 B7	A193 B16	A320 L7
10	BONNET STUD NUT	A194 2H	A194 7	A194 4
11	PACKING	GRAPHITE		
12	GLAND	A276 420	A276 304	A276 420
13	GLAND FLANGE	A216 WCB	A217 WC6	A352 LCB
14	EYEBOLT	A193 B7	A193 B16	A193 B7
15	EYEBOLT NUT	A194 2H	A194 7	A194 4
16	YOKE SLEEVE	ALUMINUM - BRONZE		
17	HAND WHEEL	MALLEABLE IRON		
	NAME PLATE	304		

MAIN EXTERNAL DIMENSIONS (BS 1873 / ASME B16.34)											
SIZE	2	2-1/2	3	4	6	8	10	12	14	16	
(Class 150)											
L/ L1 (RF)(BW)	8.00	8.50	9.50	11.50	16.00	19.50	24.50	27.50	31.00	36.00	
L2 (RTJ)	8.50	9.00	10.00	12.00	16.50	20.00	25.00	28.00	31.00	36.50	
H	15.00	21.00	17.50	20.25	22.00	24.25	32.00	25.88	48.38	57.00	
D0	7.00	10.00	11.00	11.00	13.00	13.00	16.00	18.00	20.00	24.00	
Wt (Kg)	RF/RTJ	18/14	30/22	41/33	64/43	86/72	110/88	280/245	380/345	510/450	740/665
	BW										

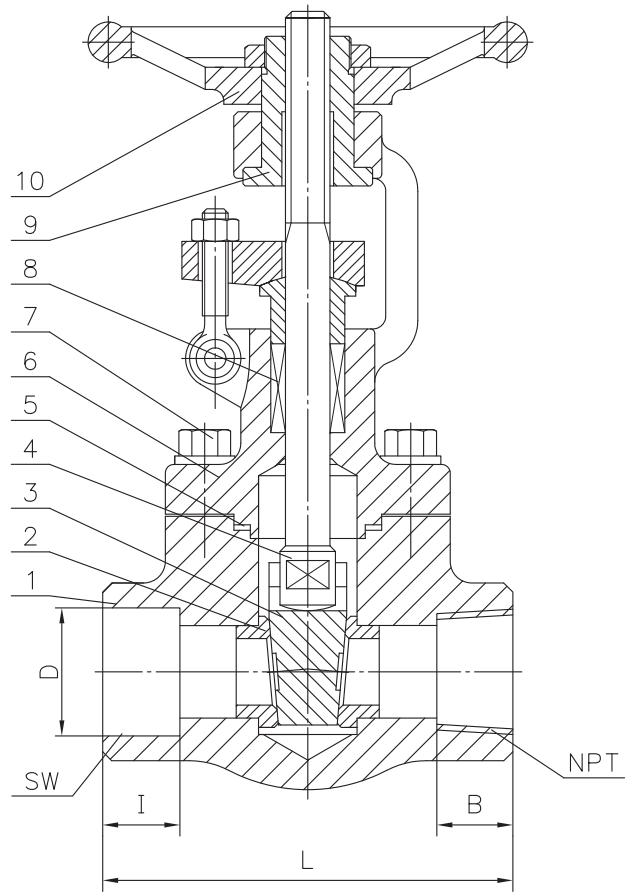
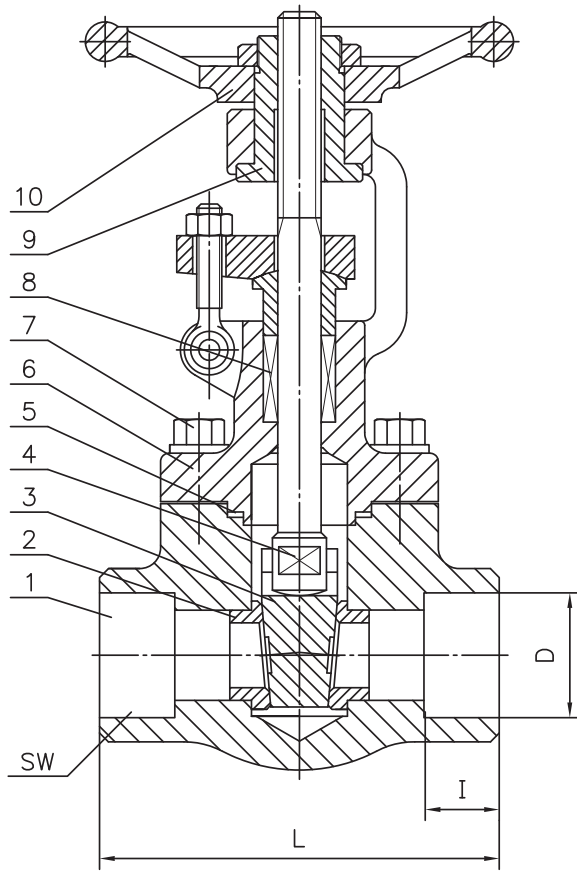
MAIN EXTERNAL DIMENSIONS (BS 1873 / ASME B16.34)								
SIZE	2	2-1/2	3	4	6	8	10	
(Class 900)								
L/ L1 (RF)(BW)	14.50	16.50	15.50	18.50	24.00	29.00	33.00	
L2 (RTJ)	14.62	16.62	15.12	18.12	24.12	29.12	33.12	
H	22.00	23.25	25.25	31.88	41.38	53.50	61.88	
D0	11	13	16	18	20	24	24	
Wt (Kg)	RF/RTJ	57/41	82/53	92/58	168/117	365/238	665/538	1250/1060
	BW							

MAIN EXTERNAL DIMENSIONS (BS 1873 / ASME B16.34)											
SIZE	2	2-1/2	3	4	6	8	10	12	14	16	
(Class 300)											
L/ L1 (RF)(BW)	10.50	11.50	12.50	14.00	17.50	22.00	24.50	28.00	-	-	
L2 (RTJ)	11.15	12.12	13.15	14.65	18.12	22.62	25.12	28.62	-	-	
H	16.75	19.00	19.88	22.50	25.25	33.25	35.50	38.62	-	-	
D0	8.00	10.00	11	13	16	18	20	24	-	-	
Wt (Kg)	RF/RTJ	25/20	32/22	38/27	56/41	96/75	150/117	360/310	550/492	-	-
	BW										

MAIN EXTERNAL DIMENSIONS (BS 1873 / ASME B16.34)								
SIZE	2	2-1/2	3	4	6	8	10	
(Class 1500)								
L/ L1 (RF)(BW)	14.50	16.50	18.50	21.50	27.75	32.75	-	
L2 (RTJ)	14.62	16.62	18.62	21.62	28.00	33.15	-	
H	22.00	23.25	29.50	36.00	48.62	65.00	-	
D0	13	16	18	20	24	28	-	
Wt (Kg)	RF/RTJ	68/57	97/81	116/95	215/184	445/347	795/635	-
	BW							

MAIN EXTERNAL DIMENSIONS (BS 1873 / ASME B16.34)											
SIZE	2	2-1/2	3	4	6	8	10	12	14	16	
(Class 600)											
L/ L1 (RF)(BW)	11.50	13.00	14.00	17.00	22.00	26.00	31.00	33.00	-	-	
L2 (RTJ)	11.62	13.12	14.12	17.12	22.12	26.12	31.12	33.12	-	-	
H	17.50	19.75	21.00	24.50	29.50	36.50	44.88	53.12	-	-	
D0	10	11	13	16	18	20	24	24	-	-	
Wt (Kg)	RF/RTJ	35/27	50/34	60/42	110/84	230/192	410/350	770/680	140/1030	-	-
	BW										

MAIN EXTERNAL DIMENSIONS (BS 1873 / ASME B16.34)								
SIZE	2	2-1/2	3	4	6	8	10	
(Class 2500)								
L/ L1 (RF)(BW)	17.75	20.00	22.75	26.50	36.00	-	-	
L2 (RTJ)	17.88	20.50	23.00	26.88	36.50	-	-	
H	25.50	28.12	32.50	47.00	70.50	-	-	
D0	16	18.00	20.00	24.00	28.00	-	-	
Wt (Kg)	RF/RTJ	97/72	138/95	167/108	305/196	633/351	-	-
	BW							



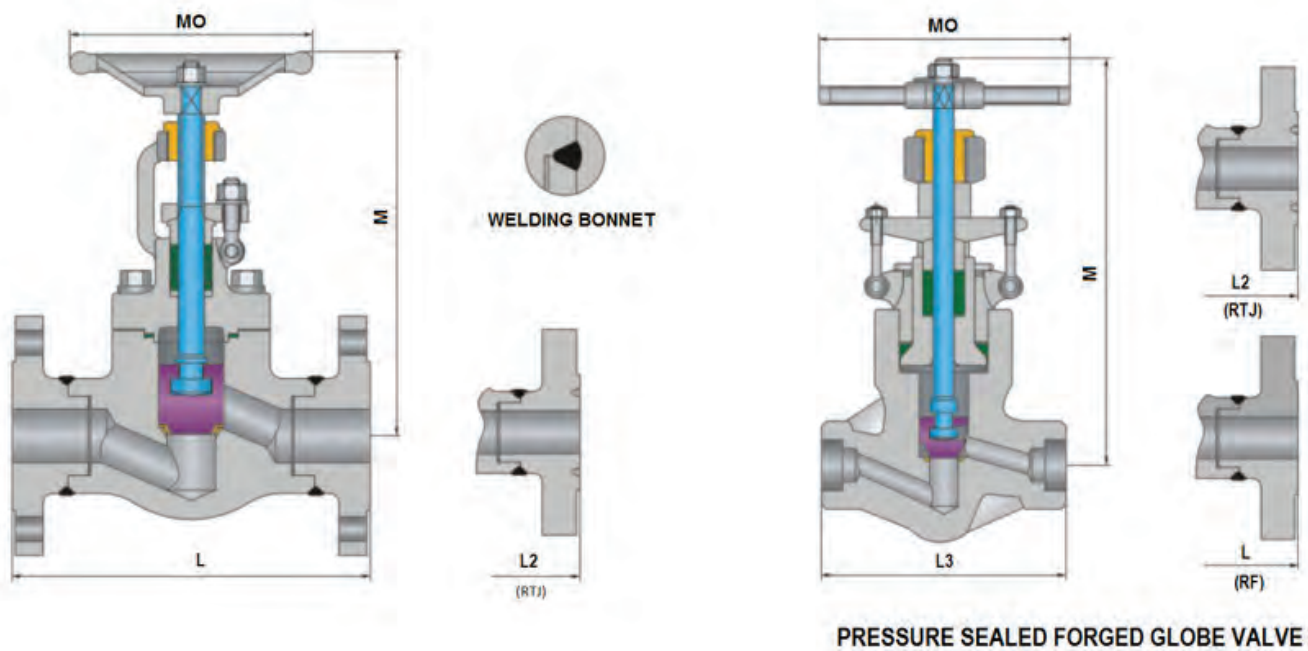
API 602					
ITEM	PART	ASTM MATERIAL			
		CARBON LOW TEMP. STEEL		STAINLESS STEEL	CHROME-MOLIB-DENUM STEEL
1	BODY	A105	LF2	A182 F316/ A351-CF8M	A182 F11
2	SEAT	DEPOSITED 13Cr / DEPOSITED STL		DEPOSITED STL	DEPOSITED 13 Cr DEPOSITED STL
3	DISC	A182 F6a/A276 420		A182 F316	A182 F6a
4	STEM	A276 410		A276 316	A276 410
5	BONNET GASKET	GRAPHITE + 304		GRAPHITE + 316	GRAPHITE + 304
6	BONNET	A105	LF2	A182 F316/A351-CF8M	A182 F11
7	BONNET STUD	A193 B7		A193 B8M	A193 B16
8	PACKING	GRAPHITE			
9	YOKE SLEEVE	A276 410			
10	HAND WHEEL	A197			
11	EYEBOLT PIN	A276 410		A276 316	A276 410
12	EYEBOLT	A193 B7		A193 B8M	A193 B16
13	EYEBOLT NUT	A194 2H		A194 8M	A194 2H
14	GLAND	A276 410	LF2	A276 316	A182 F11
15	GLAND FLANGE	A105	LF2	A182 F 316	A182 F11
16	HAND WHEEL NUT	1045		A182 F 316	1045
17	NAME PLATE	304			





SIZE	L1(SW/ NPT)		M		MO		API 602 Wt (Kg)		L			M		MO			Wt (Kg)				
	800Lb	900Lb/ 1500Lb	800Lb	900Lb/ 1500Lb	800Lb	900Lb/ 1500Lb	800Lb	900Lb/ 1500Lb	CL150	CL300	CL600	CL150/ CL300	CL600	MO	CL150	CL300	CL600	CL150	CL300	CL600	
	3/8"	3.12	4.37	6.45	8.14	3.93	4.92	2.3	3.7	4.00	6.00	6.50	-	-	-	-	-	-	-	-	-
1/2"	3.12	4.37	6.45	8.14	3.93	4.92	2.4	3.6	4.25	6.00	6.50	7.08	6.45	3.93	3.4	3.8	4.2				
3/4"	3.62	4.72	7.99	9.44	4.92	6.29	4.3	6.8	4.62	7.00	7.50	7.24	6.45	3.93	3.6	4.8	5.8				
1"	4.38	5.98	8.81	10.15	6.29	6.29	5.7	7.6	5.00	8.00	8.50	8.54	7.99	4.92	6.1	7.2	8.8				
1-1/4"	4.75	6.77	10.23	12.99	6.29	7.08	7.8	11.6	5.50	8.50	9.00	8.81	8.81	6.29	7.2	9.6	12.1				
1-1/2"	6.00	7.87	11.81	13.97	7.08	7.87	12.5	15.0	6.50	9.00	9.50	10.23	10.23	6.29	10.4	12.6	15.6				
2"	6.75	8.66	13.97	14.56	7.87	9.44	17.5	22.0	8.00	10.50	11.50	11.81	11.81	7.08	15.5	18.0	19.5				

SIZE	L1(RF)	L2(RTJ)	M	MO	Wt (Kg)	L3(NPT/SW)		L(RF)		API 602 CL 900/ 1500 L2(RTJ)		M	MO	NPT/SW		Wt (Kg)		RF/RTJ	
						900Lb/ 1500Lb	2500Lb	900Lb/ 1500Lb	2500Lb	900Lb/ 1500Lb	2500Lb			900Lb/ 1500Lb	2500Lb	900Lb/ 1500Lb	2500Lb	900Lb/ 1500Lb	2500Lb
						1/2"	8.5	8.5	8.14	4.92	11.0			5.51	7.32	8.50	10.39	8.50	10.39
3/4"	9.01	9.01	8.14	4.92	13.2	5.51	7.32	9.01	10.74	9.01	10.74	12.00	7.87	6.5	6.8	13.8	15.7		
1"	10.0	10.0	9.05	6.29	17.4	5.51	7.32	10	12.12	10.0	12.12	12.00	7.87	7.6	7.8	18.7	20.2		
1-1/4"	10.98	10.98	10.23	7.08	19.0	7.00	9.13	10.98	13.74	10.98	13.85	17.32	11.02	10.4	11.2	19.35	22.30		
1-1/2"	12.0	12.0	11.81	7.87	24.5	7.00	9.13	12	15.11	12	15.23	17.51	11.02	14.8	15.0	27.10	29.50		
2"	14.48	14.6	13.97	8.66	31.0	8.50	10.98	14.48	17.75	14.60	17.87	19.88	11.81	20.8	21.09	33.38	35.2		





*A Tradition of Quality*

*Our passion is to develop solutions for difficult situations in Industrial Applications, no matter how large or small the project.*

*"A cleaner world, one project at a time"*

