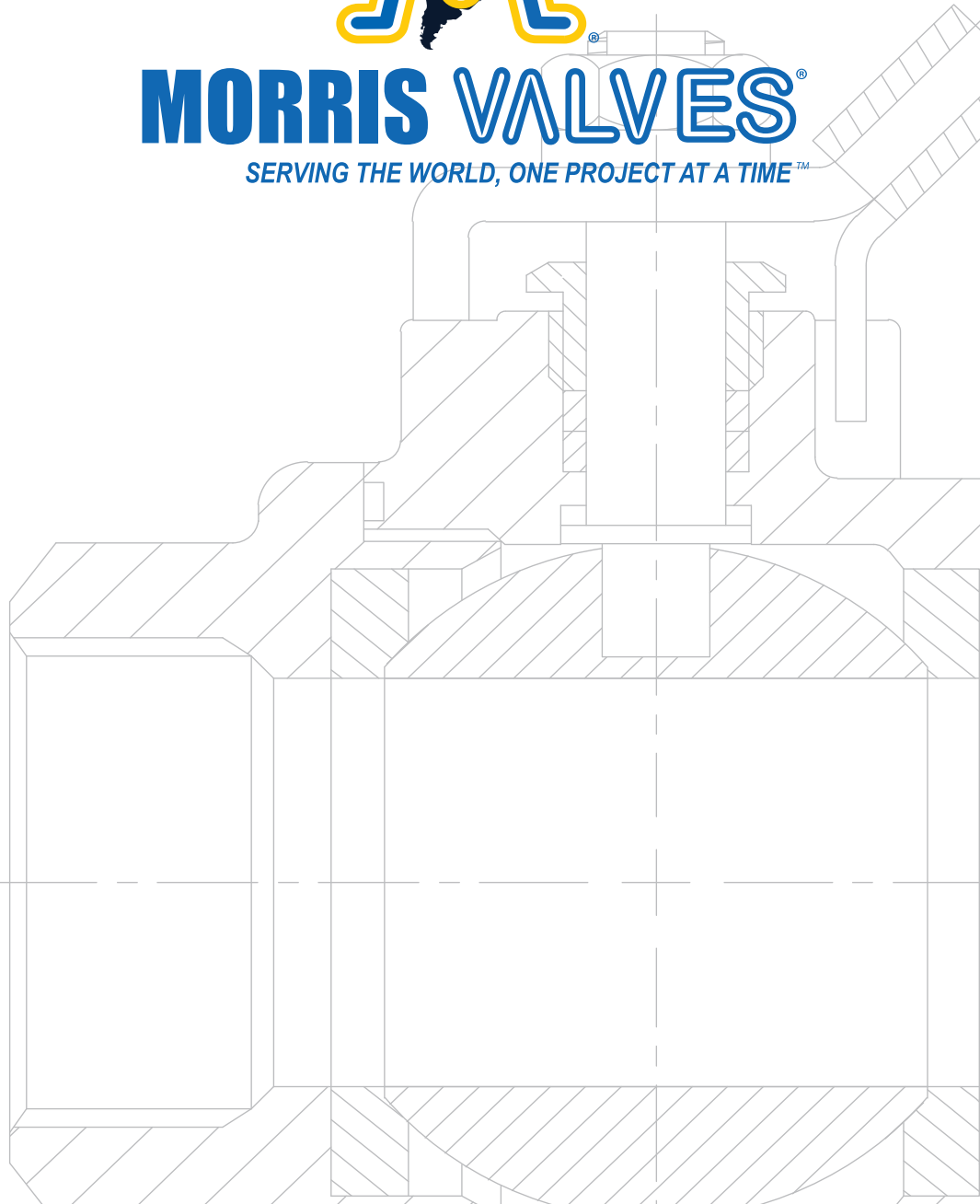




**MORRIS VALVES®**

*SERVING THE WORLD, ONE PROJECT AT A TIME™*



**API6D, THROUGH CONDUIT GATE VALVE**

[www.morrisvalve.com](http://www.morrisvalve.com)



In 1984, our journey into the business of repairing valves and industrial instrumentation began. That journey has led us to represent and service well known American brands and companies. In early 2000, our experience and growing passion for the valve industry encouraged our decision to launch our own brand, Morris Valves. Starting with the highly requested Ball Valves, the brand has been based on the principal of quality and performance to match our customers' needs. Our high standards of production later lead us to incorporate other models such as Gate Valve and Check Valves to our production. These additions were carefully selected to match our Standard of Quality. Our success has been driven by our belief of "Tradition with Quality" in everything we do. Our products are developed with that belief which drives our growth and guides the service we provide to our customers.

Our vision is to be amongst the leading corporations in the supply of goods and services related to valves, their components and industrial equipment in general. We want to conquer new markets in conformity with international standards and remain committed to customer satisfaction, the welfare of our company and the sustainability of our planet.

## Mision

Our mission is to use our highly trained, highly focused, and extremely motivated staff to work with manufacturers who value quality and have the vision for new development and product applications to ensure the timely provision of goods and services related to valves, their components and industrial equipment in general. We maintain a rigorous standard of customer satisfaction, which will provide for the welfare of the company, the welfare of the countries we serve, and most importantly the sustainability of the planet.

## Contacts

### USA

**Address:** 12060 S.W. 129th Court Suite – 104, FI 33186

**Telephone:** +1(786) 779 7469

**Email:** sales@morrisvalve.com

**Address:** 6803 Theall Rd Building B, Houston, Tx 77066

**Telephone:** +1 (832) 666-5576

**Cel:** +1 (786) 779-7469

**Email:** sales@morrisvalve.com

### Venezuela - Puerto Ordaz

**Address:** Zona Industrial los Pinos, Manzana 7 Parcela 10, Puerto Ordaz, Edo. Bolívar.

**Telephone:** +58(286)994-2996

**Fax:** +58(286)994-4162

## Vision

*"Serving the world, one project at a time"*

API6D, SLAB THROUGH CONDUIT GATE VALVE.  
 FLANGED END/BUTT WELDING END  
 CLASS (300# - 2500#)

# TGV TYPE

## SPECIFICATIONS:

\*Design Standard:

-API6D

-ASME B16.34

\*Face to face:

-API 6D; ASME:ASME B16.10

\*End Connections:

-FLANGED: ASME B16.5 / ASME B16.47-A

-BUTT WELDING: ASME B16.25

•Test : API 6D / ASME B16.34

•Body Material: ASTM A216 WCB, F304, LCB LF2 F51.

•Actuation: Handwheel, Worm Gear, Electrical, Pneumatic, Hydraulic

## FEATURES:

-Trough-Conduit & Full bore body with guide orifice may allow pipeline cleaning. (PIGABLE)

-Highly used in pipelines systems where the main fluids are: Gas, Oil and Petroleum derivatives.

-Bi-directional and totally enclosed body with stem protective cap; can be installed in any of their ends in order to perform properly.

-Stem sealing is combined type design; flexible graphite +304 , plus injection spacer ring.

-Double sealing structure: API6Fa design Metal to Metal primary Seal and PTFE or Nylon inserts on the seat sealing face.

-Double block & Purge. Achieved by its hermetic sealing system that consists in the use of an "O-Ring" and the floating of the seats in an independent way (The seat rings are installed with springs). When the valve is in open or closed position, the PTFE or Nylon inserts are projected against the wedge face, achieving the seal at low pressure. Soft sealing could clean up the dirt on wedge, also.

-Emergency sealing: By means of grease injection through two fittings located at the center of the valve, the grease is distributed all over the surface of the wedge and seats; the result is an emergency sealing system, when the seals (Teflon or Nylon) have suffered some damages, due foreign materials contained in the fluid



**MORRIS VALVES**  
BEYOND THE PIPES, ONE PRODUCT AT A TIME



## SIZE:

(2 – 64)"	FULL PORT	Class300
(2 – 48)"	FULL PORT	Class400
(2 – 36)"	FULL PORT	Class900
(2 – 24)"	FULL PORT	Class1500
(2 – 12)"	FULL PORT	Class2500

## HOW TO ORDER

TGV -  SIZE -  RATING -  END CONNECTIONS

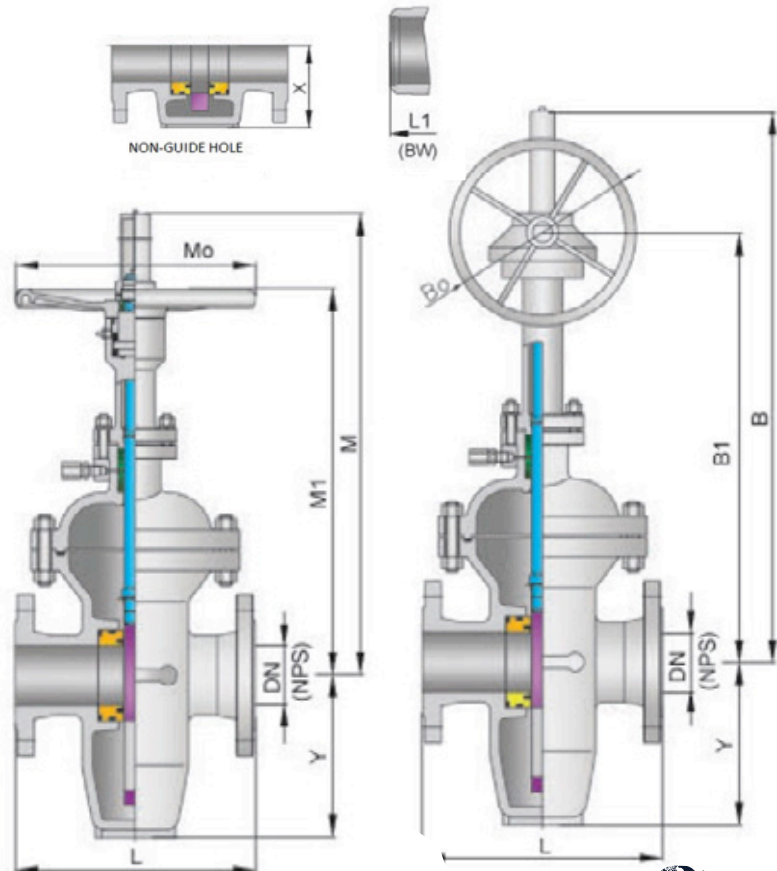
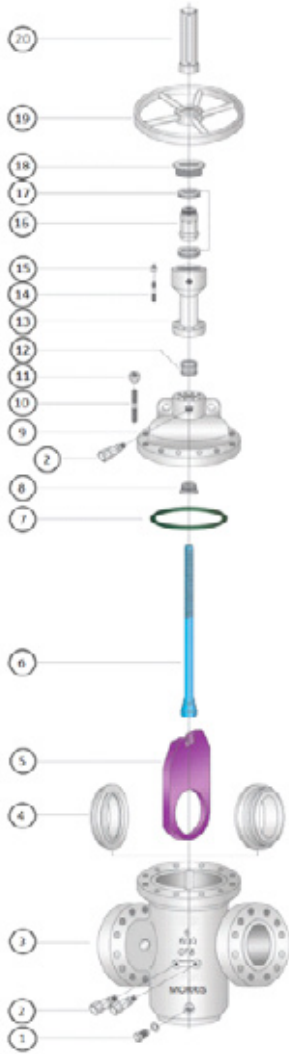
PARTS	MATERIALS
1 BODY & BONNET	
2 STEM	
3 DISC/WEDGE	
4 SEAT	
5 SEAT INSERT	
6 O - RING	
7 ACTUATOR	

## MAIN PARTS AND MATERIALS

(ASTM/ANSI)		
Parts	Water/Oil & Natural Gas	RESIST SSC (Sulfur Stress Crack)
1 DRAIN PLUG	A276 420	A276 304
2 SEALANT- INJECTOR -FITTINGS	A108 - 1025	A108 1025
3 <sub>1</sub> BODY	A216 WCB	A216 WCB
SEAT	A182 - F6a / STELLITE	A182 F304
4 <sub>2</sub> SEAT RING	NYLON	PTFE/NYLON
SPRING	INCONEL X - 750	INCONEL X-750
O-RING	VITON	VITON
5 <sub>3</sub> DISC(WEDGE)	A105 + ENP / A182 F6a / A182 F316	A276 F304
6 STEM	A182 F6a	A182 F304
7 GASKET	FLEXIBLE GRAPHITE + 304	FLEXIBLE GRAPHITE + 304
8 LANTERN RING	A276 410	A276 F304
9 <sub>1</sub> BONNET	A216 WCB	A216 WCB
10 BONNET BOLT /STUD	A193 Gr 2H	A193 Gr 2H
11 BOLT/STUD NUT	A194 Gr 2H	A194 Gr 2H
12 PACKING	FLEXIBLE GRAPHITE	FLEXIBLE GRAPHITE
13 YOKE	A216 WCB	A216 WCB
14 YOKE BOLT	A193 Gr B7	A193 Gr B7
15 YOKE NUT	A194 Gr 2H	A194 Gr 2H
16 STEM NUT	C95500 NICHEL ALUMINUM BRONZE	C95500 NICHEL ALUMINUM BRONZE
17 BEARING	AISI E51100	AISI E51100
18 GLAND	A108 1025	A108 1025
19 HANDWHEEL	A47	A47
20 STEM PROTECTOR	CARBON STEEL + Zn	A108 1025+#372

**Notes.**

- 1) A352 LCB is applicable for Cryogenic Services. When there is a strict corrosion rate, for a sulfur corrosion resistant valve, CF8 Material should be selected
- 2) Sealing surface of valve seat, made by deposited welding and hardened layer shall be anti-corrosion treated.
- 3) Surface shall be corrosion-resistant treatment
- 4) Materials selection for normal type valves, is applicable for mediums with total content of H<sub>2</sub>S & CO<sub>2</sub> less than 500 mg/m<sup>3</sup>; Materials selection for sulfur- resistant valves is applicable for mediums with total content of H<sub>2</sub>S & CO<sub>2</sub> greater than 500mg/m<sup>3</sup> and meeting specifications MR0175
- 5) If not specified otherwise, above-mentioned configurations of flat gate valves, are suitable for conventional water, Oil & natural Gas, etc.



### Main External Dimensions

NPS (INCH)	2	2-1/2	3	4	6	8	10	12	14	16	18	20	24	28	32	36	40	48	56	64
<b>CLASS 150</b>																				
L (RF)	178	191	203	229	267	292	330	356	381	406	432	457	508	610	711	711a	811	1015	1080	1300
L1 (BW)	216	241	283	305	403	419	457	502	572	610	610	711	813	914	965	1016	1116b	1320b	1385b	1605b
M	475	535	600	700	910	1095	1370	1470	1730	1870	2185	2335	2815	-	-	-	-	-	-	-
M1	360	425	460	535	685	815	965	1100	1250	1375	1485	1575	1995	-	-	-	-	-	-	-
MO	250	300	300	350	350	350	450	500	600	650	700	800	1000	-	-	-	-	-	-	-
B	-	-	-	-	-	1235	1510	1610	1890	2030	2415	2565	3045	3552	4060	4567	5075	6090	7105	8120
B1	-	-	-	-	-	900	1050	1185	1345	1470	1625	1715	2135	2490	2846	3202	3560	4270	4985	5695
BO	-	-	-	-	-	310	310	310	460	460	460	460	460	460	460	600	600	600	600	600
X	80	90	100	110	145	170	210	240	265	290	325	360	425	455	505	545	610	740	854	995
Y	122	152	178	220	345	420	495	600	640	720	798	875	1030	1180	1380	1500	1640	1820	2160	2425
<b>CLASS 300</b>																				
L (RF)	216	241	283	305	403	419	457	502	572	610	610	711	813	914	965	1016	1116b	1320b	1385b	1605b
L1 (BW)	216	241	283	305	403	419	457	502	572	610	610	711	813	914	965	1016	1116b	1320b	1385b	1605b
M	475	535	600	700	910	1095	1370	1470	1730	1870	2185	2335	2815	-	-	-	-	-	-	-
M1	360	425	460	535	685	815	965	1100	1250	1375	1485	1575	1995	-	-	-	-	-	-	-
MO	250	300	300	350	350	350	450	500	600	650	700	800	1000	-	-	-	-	-	-	-
B	-	-	-	-	-	1235	1510	1610	1890	2030	2415	2565	3045	3552	4060	4567	5075	6090	7105	8120
B1	-	-	-	-	-	900	1050	1185	1345	1470	1625	1715	2135	2490	2846	3202	3560	4270	4985	5695
BO	-	-	-	-	-	310	310	310	460	460	460	460	460	460	460	600	600	600	600	600
X	80	90	100	110	145	170	210	240	265	290	325	360	425	455	505	545	610	740	854	995
Y	122	152	178	220	345	420	495	600	640	720	798	875	1030	1180	1380	1500	1640	1820	2160	2425
<b>CLASS 400</b>																				
L (RF)	292	330	356	432	559	660	787	838	889	991	1092	1194	1397	1549	1778	2083	2387	2692	-	-
L1 (BW)	292	330	356	432	559	660	787	838	889	991	1092	1194	1397	1549	1778	2083	2387	2692	-	-
L2 (RTJ)	295	333	359	435	562	664	791	841	892	994	1095	1200	1407	1562	1794	2099	2387	2692	-	-
M	499	562	630	735	956	1150	1439	1545	1817	1965	-	-	-	-	-	-	-	-	-	-
M1	378	446	483	562	720	856	1013	1155	1313	1445	-	-	-	-	-	-	-	-	-	-
MO	300	350	350	400	500	600	650	700	800	1000	-	-	-	-	-	-	-	-	-	-
B	-	-	-	875	1096	1290	1580	1705	1977	2125	2525	2682	-	-	-	-	-	-	-	-
B1	-	-	-	647	805	941	1098	1250	1408	1540	1700	1795	-	-	-	-	-	-	-	-
BO	-	-	-	310	310	310	310	460	460	460	460	460	-	-	-	-	-	-	-	-
X	88	100	112	141	210	280	335	395	432	556	608	680	945	945	1104	1223	1360	1656	-	-
Y	135	145	180	210	296	378	461	530	620	692	790	850	1150	1150	1230	1580	1760	2065	-	-
<b>CLASS 900</b>																				
L (RF)	368	419	381	457	610	737	838	965	1029	1130	1219	1321	1549	1778	2032	2286	-	-	-	-
L1 (BW)	368	419	381	457	610	737	838	965	1029	1130	1219	1321	1549	1778	2032	2286	-	-	-	-
L2 (RTJ)	371	422	384	460	613	740	841	968	1038	1140	1232	1334	1568	1800	2054	2315	-	-	-	-
M	550	618	693	810	1052	1263	1583	1698	-	-	-	-	-	-	-	-	-	-	-	-
M1	416	491	531	618	791	942	1136	1271	-	-	-	-	-	-	-	-	-	-	-	-
MO	350	400	500	600	650	700	800	1000	-	-	-	-	-	-	-	-	-	-	-	-
B	-	-	833	950	1212	1423	1813	1928	2230	-	-	-	-	-	-	-	-	-	-	-
B1	-	-	616	703	886	1037	1276	1411	1585	-	-	-	-	-	-	-	-	-	-	-
BO	-	-	310	310	460	460	460	460	460	-	-	-	-	-	-	-	-	-	-	-
X	88	100	112	141	210	280	335	395	432	556	608	680	835	945	1104	1223	-	-	-	-
Y	147	184	216	266	300	410	526	632	683	800	866	986	1030	1250	1440	1605	-	-	-	-
<b>CLASS 1500</b>																				
L (RF)	368	419	470	546	705	832	991	1130	1257	1384	-	1664	1943	-	-	-	-	-	-	-
L1 (BW)	368	419	470	546	705	832	991	1130	1257	1384	-	1664	1943	-	-	-	-	-	-	-
L2 (RTJ)	371	422	473	549	711	841	1000	1146	1276	1407	-	1686	1972	-	-	-	-	-	-	-
M	600	760	794	860	1090	1551	1859	-	-	-	-	-	-	-	-	-	-	-	-	-
M1	510	615	630	707	862	935	1100	-	-	-	-	-	-	-	-	-	-	-	-	-
MO	350	450	450	450	650	860	860	-	-	-	-	-	-	-	-	-	-	-	-	-
B	775	820	910	940	1308	1806	2200	2430	2600	2750	-	3000	3300	-	-	-	-	-	-	-
B1	650	700	750	790	1080	1280	1550	1780	1950	2100	-	2350	2560	-	-	-	-	-	-	-
BO	310	310	310	460	460	860	860	860	860	860	-	860	1000	-	-	-	-	-	-	-
X	155	180	205	240	320	420	485	500	600	686	-	820	990	-	-	-	-	-	-	-
Y	185	215	250	300	400	517	605	649	770	796	-	1090	1290	-	-	-	-	-	-	-
<b>CLASS 2500</b>																				
L (RF)	451	508	578	673	914	1022	1270	1422	-	-	-	-	-	-	-	-	-	-	-	-
L1 (BW)	451	508	578	673	914	1022	1270	1422	-	-	-	-	-	-	-	-	-	-	-	-
L2 (RTJ)	454	514	584	683	927	1038	1292	1445	-	-	-	-	-	-	-	-	-	-	-	-
M	570	645	680	916	1122	1400	-	-	-	-	-	-	-	-	-	-	-	-	-	-
M1	480	500	560	650	750	1043	-	-	-	-	-	-	-	-	-	-	-	-	-	-
MO	350	450	450	450	650	860	860	-	-	-	-	-	-	-	-	-	-	-	-	-
B	725	760	794	1142	1312	1502	1875	2208	-	-	-	-	-	-	-	-	-	-	-	-
B1	650	700	630	650	800	1143	1353	1356	-	-	-	-	-	-	-	-	-	-	-	-
BO	360	360	360	450	450	860	860	860	-	-	-	-	-	-	-	-	-	-	-	-
X	155	180	205	240	320	420	485	500	-	-	-	-	-	-	-	-	-	-	-	-
Y	185	215	250	300	400	517	605	649	-	-	-	-	-	-	-	-	-	-	-	-





*A Tradition of Quality*

*Our passion is to develop  
solutions for difficult situations in  
Industrial Applications, no matter  
how large or small the project.*

*"Serving the world, one project at a time"*

