

SKV65 -TYPE

SPECIFICATIONS:

- * Design Standard:
 - MSS-SP-81. 2" through 24" in size.
 - Sizes above 24" are subject to the to the individual Manufacturer's -Customer, internal design specifications and Testing.
- * Face to face:
 - MSS-SP-81
- * End Connections:
 - Wafer:
 - ASME B16.5/ASME B16.47-A, ANSI 150 LB
 - DIN2632, PN10
- * Test : MSS-SP-81, API 598
- * Quality Certificate: EN 10204-3.1, MATERIALS AND TEST CERTIFICATE.

FEATURES:

- * Full bore body may allow pipeline cleaning.
- * Easy Installation, Light with Strong yoke design.
- * Bi-Directional, Drop tight Shut off.
- * On-Line Replaceable Slurry Sleeves.
- * Splash Guard for flushing the sediment accumulated during the valve normal operations.
- * Highly used in Sugar Plant, Mining, Wastewater treatment plants.
- Power plants, Pulp and Paper.
- * Excellent Cost Vs Development.



CE APPROVED

MATERIALS

BODY	<input type="text"/>	Working Pressure: (2 - 4)"20 Bar (5 - 8)"16 Bar (10 - 40)"10 Bar
YOKE	<input type="text"/>	
GATE	<input type="text"/>	
STEM	<input type="text"/>	
SEAT	<input type="text"/>	
PACKING	<input type="text"/>	
ACTUATOR	<input type="text"/>	

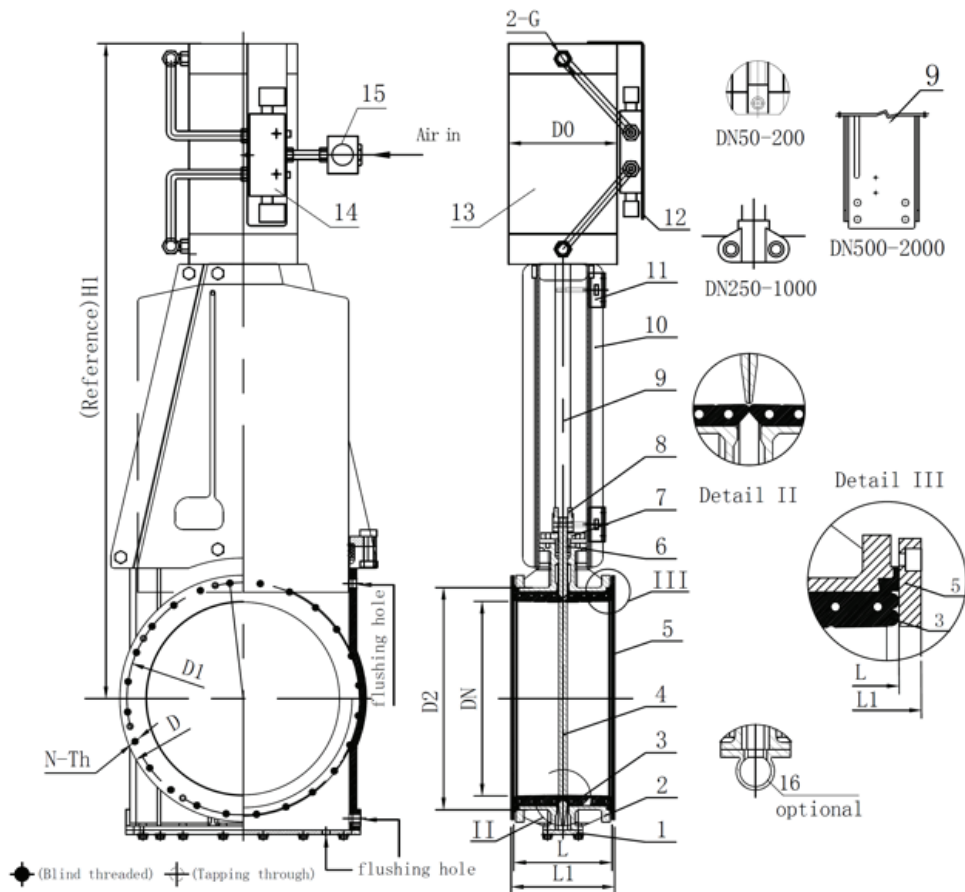
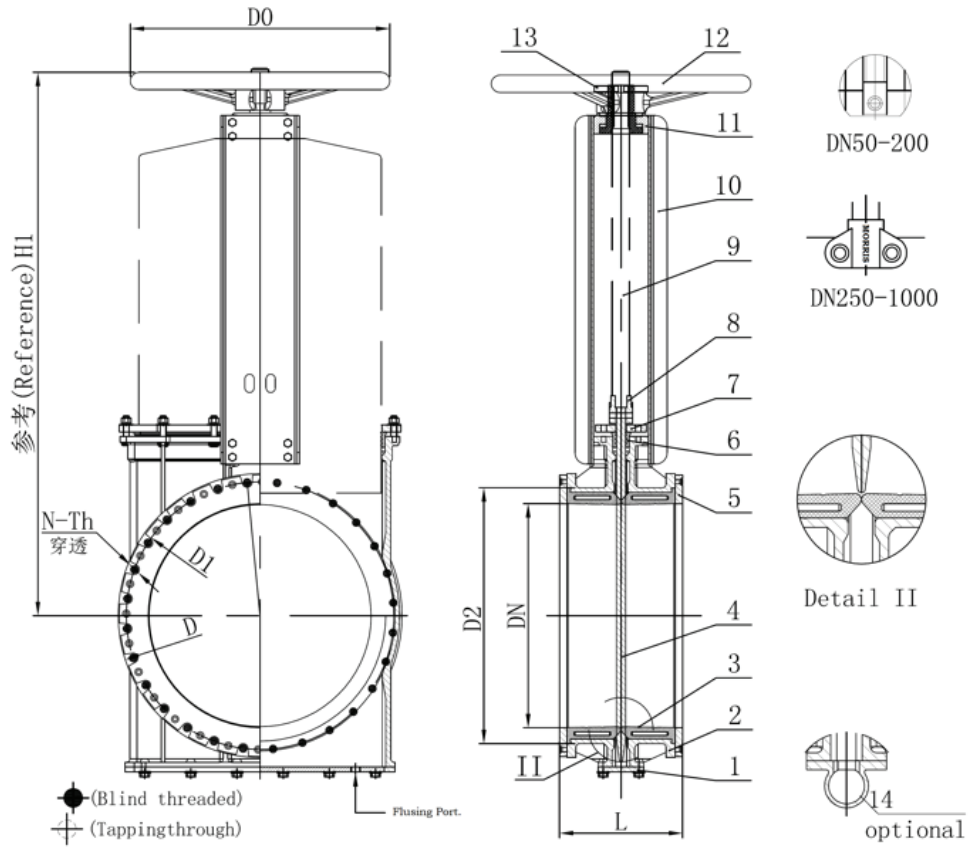
HOW TO ORDER

SKV65 - SIZE - RATINGS - END CONN - BODY MATL - SEAT MATL - ACTUATOR

PART		PARTS & MATERIALS	
1	BOTTOM COVER.	Q235(Cr.D)	
2	BODY	GGG40, WCB	
3	SEAT	EPDM/ NR	
4	DISC (GATE)	304SST, 316SST,316L, F55, F53,2205, AISI310,	
5	SEAT FLANGE	EPDM + STEEL.	
6	PACKING	EPDM/ GRAPHITE/HIGH WATER BASED	
7	PACKING GLAND	Q235(Cr.D)	
8	STEM HOLDER	WCB	

HAND WHEEL OPERATOR		PNEUMATIC OPERATOR	
9	STEM	2CR13/AISI 420/ SS304/	PISTON ROD 45#+CR
10	YOKE	GGG40/WCB	Q235(CR.D)
11	YOKE HEAD	GGG40	SWITCH COMPLETE UNIT
12	HAND WHEEL	GGG40	SOLENOID MOUNTING Q235(CR.D)
	STEM NUT	BRASS	
13	NUT	Q235(CR.D)	CYLINDER COMPLETE UNIT
14	FLUSH PIPE	Q235(CR.D)	SOLENOID VALVE COMPLETE UNIT
15			FILTER COMPLETE UNIT
16			FLUSH PIPE. Q235(CR.D)
BOLT & NUT		FE+ZN/SS304	





MAIN EXTERNAL DIMENSIONS (MM)																		
DIN2632, PN10									NPS (INCH), CLASS 150									
	L	D	D1	D2	D0	N-Th	d	H1	L	D	D1	D2	D0	N-Th	d	H1	Weight (Kg)	
2	50	172	165	125	99	180	4-M16	Ø18	260	172	152	121	92	180	4-5/8"	Ø19	260	
2-1/2	65	172	185	145	118	200	4-M16	Ø18	292	172	178	140	105	200	4-5/8"	Ø19	292	
3	80	172	200	160	132	200	8-M16	Ø18	320	172	191	153	127	200	4-5/8"	Ø19	320	
4	100	172	220	180	156	240	8-M16	Ø18	358	172	229	191	157	240	8-5/8"	Ø19	358	
5	125	174	250	210	184	260	8-M16	Ø18	395	174	254	216	186	260	8-3/4"	Ø22	395	
6	150	174	285	240	211	280	8-M20	Ø23	450	174	279	242	216	280	8-3/4"	Ø22	450	
8	200	180	340	295	266	300	8-M20	Ø23	532	180	343	299	270	300	8-3/4"	Ø22	532	
10	250	220	395	350	319	320	12-M20	Ø23	670	220	406	362	324	320	12-7/8"	Ø25	670	
12	300	255	445	400	370	350	12-M20	Ø23	758	255	483	432	381	350	12-7/8"	Ø25	758	
14	350	255	505	460	429	400	16-M20	Ø23	857	255	533	476	413	400	12-1"	Ø29	857	
16	400	281	565	515	480	450	16-M24	Ø27	946	281	597	540	470	450	16-1"	Ø29	946	
18	450	305	615	565	530	500	20-M24	Ø27	1023	305	635	578	533	500	16-1 1/8"	Ø32	Ø32	
20	500	350	670	620	582	500	20-M24	Ø27	Gear	350	699	635	584	500	20-1 1/8"	Ø32	Gear	
22	550					-	20-M27	Ø30	Gear					-	20-1 1/4"	Ø35	Gear	
24	600	369	780	725	682	-	20-M27	Ø30	Gear	369	813	750	691	-	20-1 1/4"	Ø35	Gear	
26														-	24-1 1/4"	Ø35	Gear	
28	700	372	895	840	794	-	24-M27	Ø30	Gear	372	927	864	800	-	28-1 1/4"	Ø35	Gear	
30														-	28-1 1/4"	Ø35	Gear	
32	800	405	1015	950	901	-	24-M30	Ø33	Gear	405	1060	978	914	-	28-1 1/2"	Ø41	Gear	
34														-	32-1 1/2"	Ø41	Gear	
36	900	480	1115	1050	1001	-	28-M30	Ø33	Gear	480	1170	1086	1022	-	32-1 1/2"	Ø41	Gear	
38														-	32-1 1/2"	Ø41	Gear	
40	1000	535	1230	1160	1112	-	28-M33	Ø36	Gear	535	1290	1200	1124	-	36-1 1/2"	Ø41	Gear	

