

2-PIECE SWING CHECK VALVE  
FLANGED END 150#, RF

# F SCKV TYPE

## FEATURES:

-FACE TO FACE DIMENSION:

\*ANSI B16.10

-END FLANGE DIMENSION:

\*ANSI B16.5

-MATERIAL TRACEABILITY

-MATERIALS:

\*ASTM A351CF8M/A351-CF8

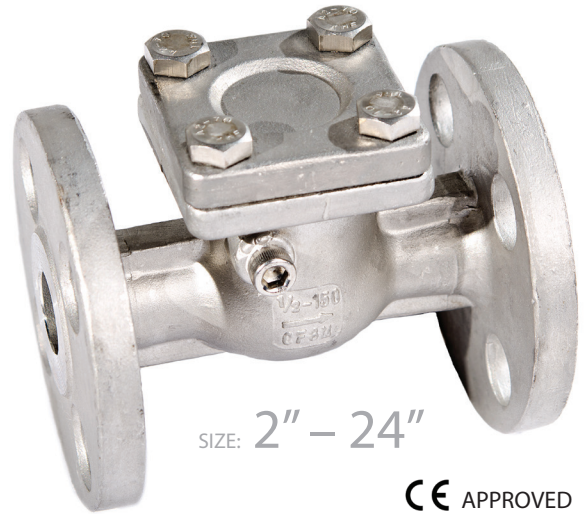
\*ASTM A216 WCB

-BASIC DESIGN:

\*AP16D & BS1868

-TEST STANDARD:

\*API 598



SIZE: 2" - 24"

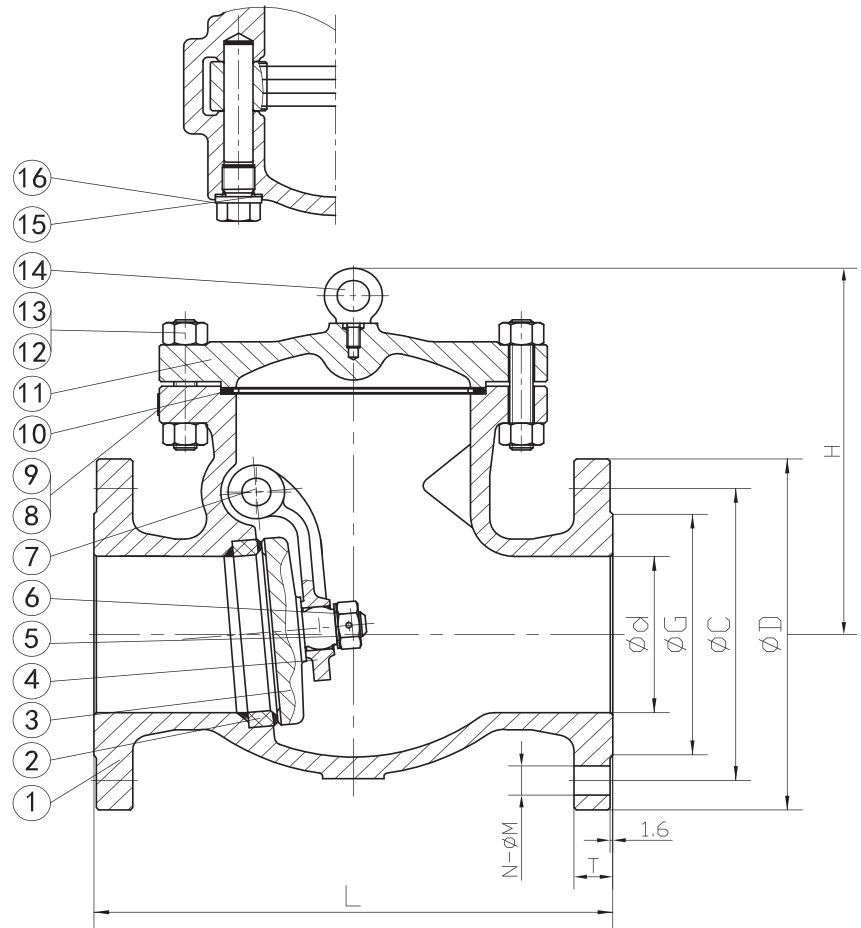
CE APPROVED

## HOW TO ORDER

BODY MATERIAL      SIZE  
F SCKV  -  F1

NOMINAL SIZE	d	L	H	D	C	G	T	N	M
2"	51	203	135	152	120.5	92	19	4	19
2 1/2"	64	216	155	178	139.5	105	22.5	4	19
3"	76	241	168	190	152.5	127	24	4	19
4"	102	292	235	229	190.5	157	24	8	19
5"	127	330	249	254	216	186	24	8	22
6"	152	356	277	279	241.5	216	26	8	22
8"	203	495	339	343	298.5	270	29	8	22
10"	254	622	398	406	362	324	31	12	25
12"	305	698	525	483	432	381	32	12	25
14"	337	787	553	533	476	413	35	12	29
16"	387	864	584	597	540	470	37	16	29
18"	438	978	668	635	578	533	40	16	32
20"	489	978	712	699	635	584	43	20	32
24"	591	1295	740	813	749.5	692	48	20	35

PARTS	MATERIAL
1 BODY	WCB
2 SEAT	A105+HF
3 DISC	WCB+F6
4 HINGE	WCB
5 GASKET	A276 410
6 NUT	A276 410
7 PIN	A276 410
8 RIVET	304
9 NAME PLATE	304
10 GASKET	304+FLEXIBLE GRAPHITE
11 BONNET	WCB
12 BOLT	A193 B7
13 NUT	A194 2h
14 EYEBOLT	A29 1035
15 GASKET	1008
16 PLUG	A276 410



MORRIS VALVES  
BORN IN THE SPIRIT, ONE PRODUCT AT A TIME