

MCKF TYPE

END CONNECTIONS:
NPT, BSPP, BSPT, TUBE FITTING

FEATURES:

- *Pressure Ratings
 - (1000 - 10000) Psi @ 100°F (414 bar @ 38°C)
 - Cracking Pressure: 1 to 25 Psi
- *Materials:
 - 316 SST, 304 SST, Carbon Steel, Monel, Brass Astelloy,
- *Test
 - Each valve is tested prior to dispatch

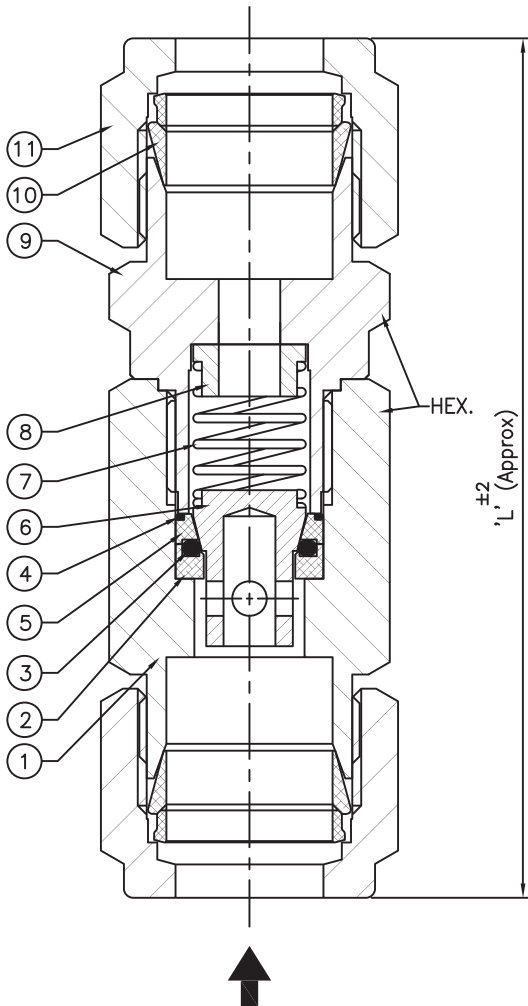


SIZE: **1/8" – 1"**
In-Line check valve

HOW TO ORDER

SIZE & END CONNECTIONS TYPE BODY MATL PACKING MATL

MCKF - -



ITEM	PARTS	QTY	MATERIAL
1	VALVE BODY	1	ASTM A276 TP 316
2	WASHER	1	AISI 316
3	O - RING -1	1	VITON
4	O - RING -2	1	VITON
5	VALVE SEAT	1	AISI 316
6	POPPET	1	AISI 316
7	SPRING	1	AISI 316
8	SPRING GUIDE	1	AISI 316
9	CONNECTOR	1	AISI 316
10	ALLEN BOLT	2 SET	AISI 316
11	NUT	2	AISI 316

SIZE	HEX	NPTF	NPTM	ODT
1/8"	25.4(1")	78(3.07")	78(3.07")	84(3.31")
1/4"	25.4(1")	78(3.07")	78(3.07")	89(3.50")
3/8"	25.4(1")	78(3.07")	78(3.07")	92(3.60")
1/2"	28.6(1.12")	78(3.07")	78(3.07")	97(3.82")
3/4"	32(1.26")	78(3.07")	78(3.07")	97(3.82")
1"	41(1.61")	88(3.46")	88(3.46")	107(4.21")

