



MSS-SP-81 KNIFE GATE VALVE.
UNI-DIRECTIONAL.
WAFER/ LUG.

KV15 TYPE

SPECIFICATIONS:

- * Design Standard:
 - MSS-SP-81. 2" through 24" in size.
 - Sizes above 24" are subject to the to the individual Manufacturer's-Customer, internal design specifications and Testing.
- * Face to face:
 - MSS-SP-81
- * End Connections:
 - Wafer/Lug:
 - ASME B16.5/ASME B16.47-A, ANSI 150 LB
 - DIN2632, PN10
- * Test : MSS-SP-81, API 598
- * Quality Certificate: EN 10204-3.1, MATERIALS AND TEST CERTIFICATE.

FEATURES:

- * Full bore body may allow pipeline cleaning.
- * Easy Installation, Light with Strong yoke design.
- * The seat ring is set in seat and groove protected with a Stainless Steel retaining ring, preventing the seat from coming off during the valve normal operations.
- * Highly used in Pulp and Paper, Power plants, Mining, Chemical plants, Food and Beverage, Wastewater treatment plants.
- * Excellent Cost Vs Development.

CLASS(150#)



HOW TO ORDER

KV15 - SIZE - RATINGS - END CONN - BODY MATL - SEAT MATL - ACTUATOR

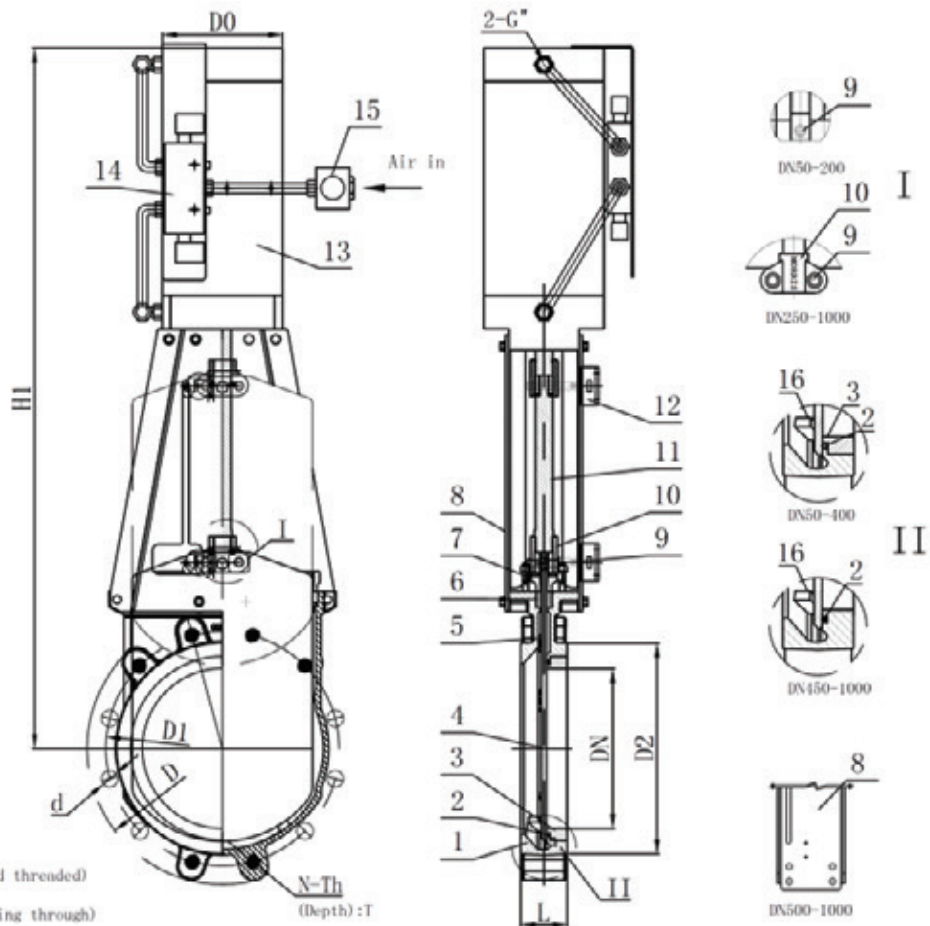
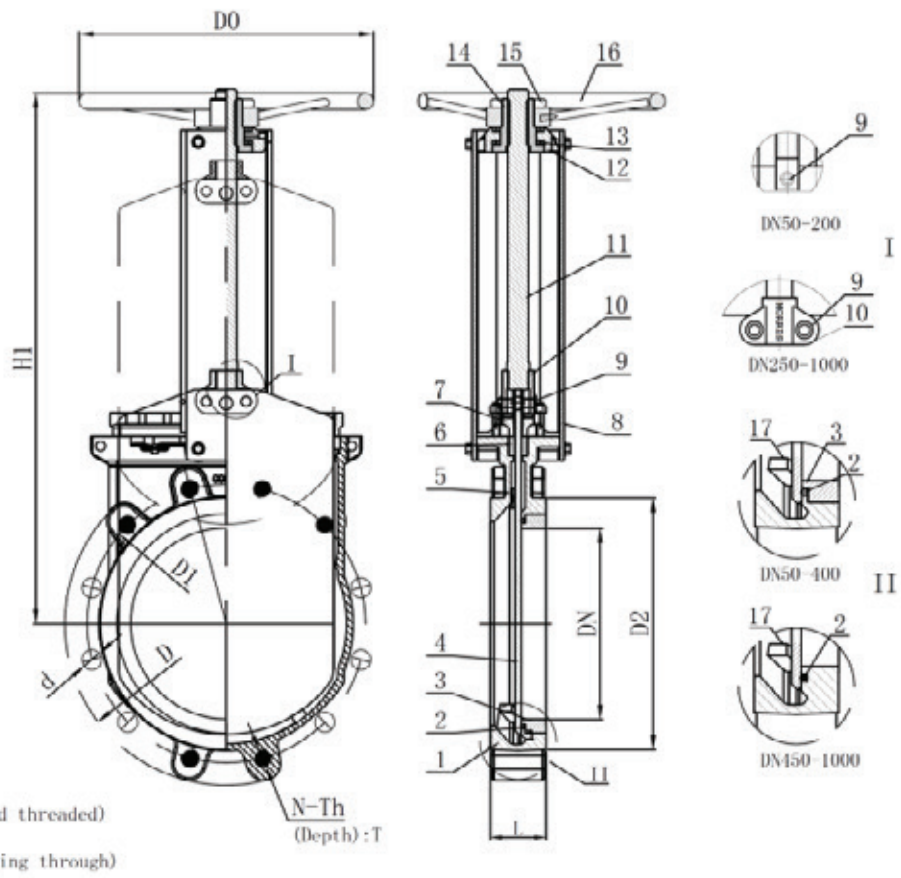
MATERIALS

BODY	<input type="text"/>	Working Pressure: (2 - 24)" 150 psi / (10 kg/cm ²) (26 - 56)" 100 psi / (7 kg/cm ²)
YOKE	<input type="text"/>	
GATE	<input type="text"/>	
STEM	<input type="text"/>	
SEAT	<input type="text"/>	
PACKING	<input type="text"/>	
ACTUATOR	<input type="text"/>	



PART		PARTS & MATERIALS	
1	BODY	GGG40, WCB, CF3M, CF8M, CF8	
2	SEAT (SOFT)	EPDM / NBR/FKM /	
3	SEAT (RETAINER)	WCB, CF8, CF8M, CF3M, F55, F53, ALLOY	
4	DISC	SS304/SS316L	
5	GUIDE PAD.	PTFE	
6	PACKING	PTFE	
7	PACKING GLAND	CF8/WCB	
8	YOKE	A36/Q235 STEEL PLATE	
9	PIN	45#/AISI 1045	
10	STEM HOLDER	WCB	

HAND WHEEL OPERATOR		PNEUMATIC OPERATOR	
11	STEM	CR13/AISI 420/ SS304/SS316	PISTON ROD 45#+CR
12	YOKE HEAD	WCB	SWITCH COMPLETE UNIT
13	BEARING	GCR15	CYLINDER COMPLETE UNIT
14	STEM NUT	BRASS	SOLENOID VALVE COMPLETE UNIT
15	NUT	ZINC PLATED Q235	FILTER COMPLETE UNIT
16	HAND WHEEL	GGG40	STOP WEDGE GGG40, WCB, CF3M, CF8M, CF8
17	BOSSSES FOR POSITIVE SEATING	GGG40, WCB, CF3M, CF8M, CF8	
	BOLT & NUT	FE+ZN/SS304	



MAIN EXTERNAL DIMENSIONS (MM)

		DIN2632, PN10						NPS (INCH), CLASS 150												Weight (Kg)
		L	D	D1	D2	D0	N-Th	d	H1	L	D	D1	D2	D0	N-Th	d	H1			
2	50	48	165	125	99	180	4-M16	Ø18	260	48	152	121	92	180	4-5/8"	Ø19	260			
2-1/2	65	48	185	145	118	200	4-M16	Ø18	292	48	178	140	105	200	4-5/8"	Ø19	292	8		
3	80	51	200	160	132	200	8-M16	Ø18	320	51	191	153	127	200	4-5/8"	Ø19	320			
4	100	51	220	180	156	240	8-M16	Ø18	358	51	229	191	157	240	8-5/8"	Ø19	358	10		
5	125	57	250	210	184	260	8-M16	Ø18	395	57	254	216	186	260	8-3/4"	Ø22	395	12.5		
6	150	57	285	240	211	280	8-M20	Ø23	450	57	279	242	216	280	8-3/4"	Ø22	450	16		
8	200	70	340	295	266	300	8-M20	Ø23	532	70	343	299	270	300	8-3/4"	Ø22	532	20		
10	250	70	395	350	319	320	12-M20	Ø23	670	70	406	362	324	320	12-7/8"	Ø25	670	32		
12	300	76	445	400	370	350	12-M20	Ø23	758	76	483	432	381	350	12-7/8"	Ø25	758	47		
14	130	76	505	460	429	400	16-M20	Ø23	857	76	533	476	413	400	12-1"	Ø29	857	65		
16	400	89	565	515	480	450	16-M24	Ø27	946	89	597	540	470	450	16-1"	Ø29	946	95		
18	450	89	615	565	530	500	20-M24	Ø27	1023	89	635	578	533	500	16-1 1/8"	Ø32	Ø32	122		
20	500	114	670	620	582	500	20-M24	Ø27	Gear	114	699	635	584	500	20-1 1/8"	Ø32	Gear	160		
22	550	114	725	680	638	-	20-M27	Ø30	Gear	114	750	692	641	-	20-1 1/4"	Ø35	Ø35	202		
24	600	114	780	725	682	-	20-M27	Ø30	Gear	114	813	750	691	-	20-1 1/4"	Ø35	Gear			
26										114	870	806	749	-	24-1 1/4"	Ø35	Gear	290		
28	700	127	895	840	794	-	24-M27	Ø30	Gear	127	927	864	800	-	28-1 1/4"	Ø35	Gear			
30										127	985	914	857	-	28-1 1/4"	Ø35	Gear			
32	800	127	1015	950	901	-	24-M30	Ø33	Gear	127	1060	978	914	-	28-1 1/2"	Ø41	Gear			
34										127	1110	1029	965	-	32-1 1/2"	Ø41	Gear			
36	900	127	1115	1050	1001	-	28-M30	Ø33	Gear	127	1170	1086	1022	-	32-1 1/2"	Ø41	Ø41			
38										149	1240	1149	1073	-	32-1 1/2"	Ø41	Gear			
40	1000	149	1230	1160	1112	-	28-M33	Ø36	Gear	149	1290	1200	1124	-	36-1 1/2"	Ø41	Gear			
42										149	1345	1257	1194	-	36-1 1/2"	Ø41	Gear			
44	1100	149	1340	1260	1220	-	28-M33	Ø36	Gear	149	1405	1314	1245	-	40-1 1/2"	Ø41	Gear			
46										149	1455	1365	1295	-	40-1 1/2"	Ø41	Gear			
48	1200	156	1455	1380	1328	-	32-M36	Ø39	Gear	156	1510	1422	1359	-	44-1 1/2"	Ø41	Gear			
50										156	1570	1480	1410	-	44-1 3/4"	Ø51	Gear			
52										156	1625	1537	1461	-	44-1 3/4"	Ø51	Gear			
54										171	1685	1594	1511	-	44-1 3/4"	Ø51	Gear			
56										171	1745	1651	1575	-	48-1 3/4"	Ø51	Gear			