

MSS-SP-81 SLURRY KNIFE GATE VALVE
 BI-DIRECTIONAL.
 WAFER
 CLASS (150) #

SKV60 TYPE



CLASS(150#)



HOW TO ORDER

KV60 - SIZE - RATINGS - END CONN - BODY MATL - SEAT MATL - ACTUATOR

MATERIALS

BODY	<input type="text"/>	Working Pressure: 2 - 8)" 16 Bar (10 - 24)" 10 Bar (26 - 28)" 8 Bar (30 - 40)" 6 Bar
YOKE	<input type="text"/>	
GATE	<input type="text"/>	
STEM	<input type="text"/>	
SEAT	<input type="text"/>	
PACKING	<input type="text"/>	
ACTUATOR	<input type="text"/>	

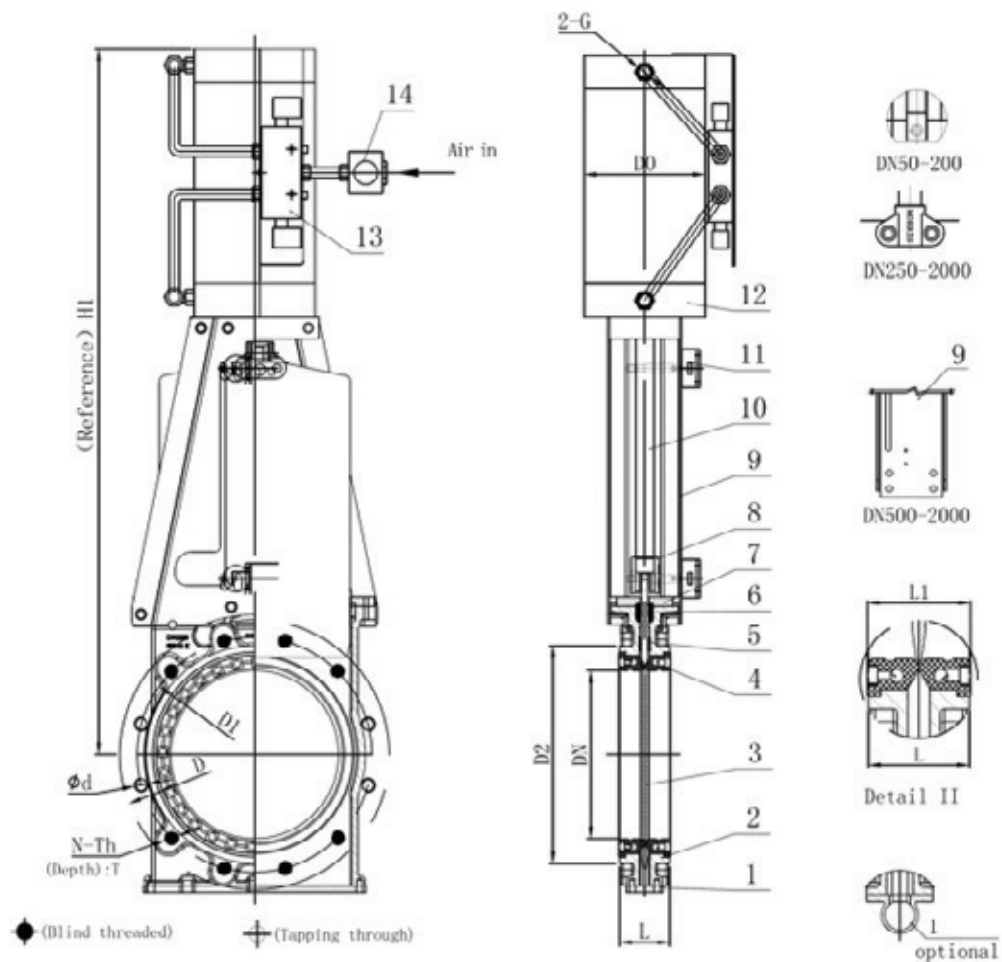
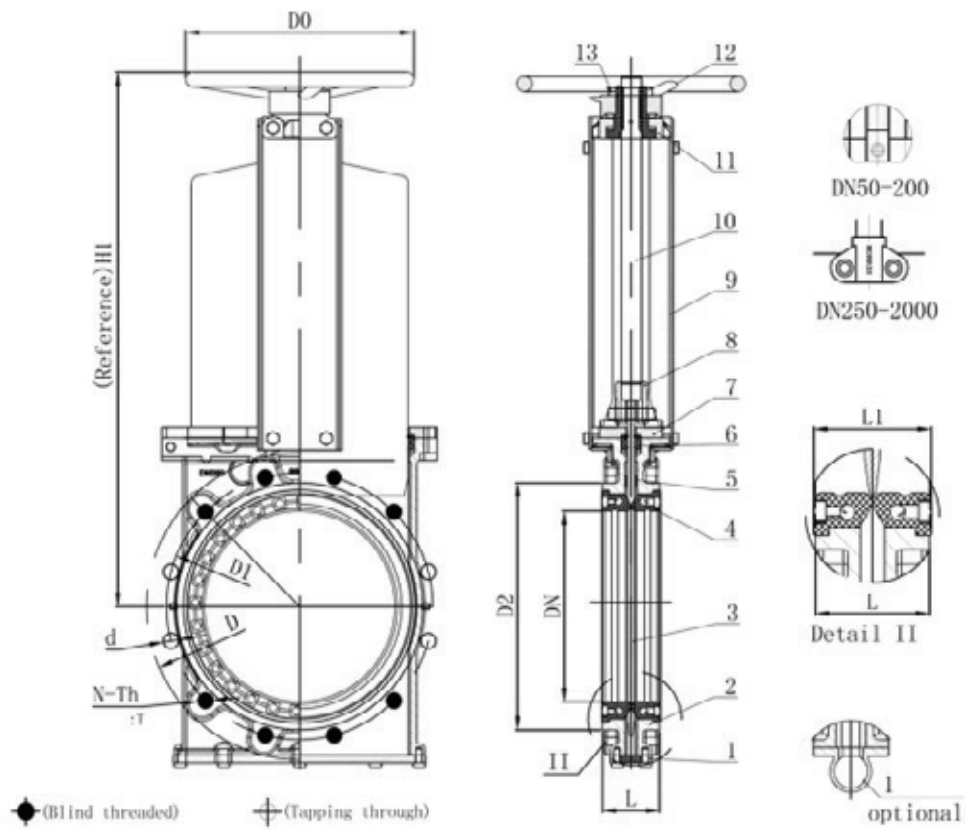
SPECIFICATIONS:

- * Design Standard:
 - MSS-SP-81. 2" through 24" in size.
 - Sizes above 24" are subject to the to the individual Manufacturer's -Customer, internal design specifications and Testing.
- * Face to face:
 - MSS-SP-81
- * End Connections:
 - Wafer:
 - ASME B16.5/ASME B16.47-A, ANSI 150 LB
 - DIN2632, PN10
- * Test : MSS-SP-81, API 598
- * Quality Certificate: EN 10204-3.1, MATERIALS AND TEST CERTIFICATE.

FEATURES:

- * Full bore body may allow pipeline cleaning.
- * Easy Installation, Light with Strong yoke design.
- * Bi-Directional, Drop tight Shut off.
- * On-Line Replaceable Slurry Sleeves.
- * Splash Guard for flushing the sediment accumulated during the valve normal operations.
- * Highly used in Sugar Plant, Mining, Wastewater treatment plants.
- Power plants, Pulp and Paper.
- * Excellent Cost Vs Development.

PART		PARTS & MATERIALS		
1	BOTTOM TAP/ SPLASH	Q235 (Gr D)		
2	GUARD	GGG40, WCB, CF3M, CF8M, CF8		
3	BODY	SS304/SS316L		
4	DISC (GATE)	EPDM / NBR/FKM /		
5	SEAT	PTFE		
6	GUIDE PAD	PTFE/EPDM/ GRAPHITE/HIGH WATER BASED		
7	PACKING	Q235(Cr.D)		
8	PACKING GLAND	WCB		
9	STEM HOLDER	Q235(Cr.D)		
10	YOKE	2Cr13/AISI 420/ SS304/SS316		
HAND WHEEL OPERATOR		PNEUMATIC OPERATOR		
11	YOKE HEAD	GGG40	SWITCH	COMPLETE UNIT
12	HAND WHEEL	GGG40	CYLINDER	COMPLETE UNIT
13	STEM NUT	BRASS	SOLENOID VALVE	COMPLETE UNIT
14	NUT	Q235(GR.D)	FILTER	COMPLETE UNIT
	BOLT & NUT	FE+ZN/SS304		



MAIN EXTERNAL DIMENSIONS (MM)																			
	DIN2632, PN10								NPS (INCH), CLASS 150										Weight (Kg)
	L	D	D1	D2	D0	N-Th	d	H1	L	D	D1	D2	D0	N-Th	d	H1			
2	50	53	165	125	99	180	4-M16	Ø18	260	53	152	121	92	180	4-5/8"	Ø19	260		
2-1/2	65	53	185	145	118	200	4-M16	Ø18	292	53	178	140	105	200	4-5/8"	Ø19	292		
3	80	55	200	160	132	200	8-M16	Ø18	320	55	191	153	127	200	4-5/8"	Ø19	320		
4	100	55	220	180	156	240	8-M16	Ø18	358	55	229	191	157	240	8-5/8"	Ø19	358		
5	125	62	250	210	184	260	8-M16	Ø18	395	62	216	186	260	260	8-3/4"	Ø22	395		
6	150	62	285	240	211	280	8-M20	Ø23	450	62	279	242	216	280	8-3/4"	Ø22	450		
8	200	75	340	295	266	300	8-M20	Ø23	532	62	343	299	270	300	8-3/4"	Ø22	532		
10	250	75	395	350	319	320	12-M20	Ø23	670	75	406	362	324	320	12-7/8"	Ø25	670		
12	300	82	445	400	370	350	12-M20	Ø23	758	75	483	432	381	350	12-7/8"	Ø25	758		
14	130	82	505	460	429	400	16-M20	Ø23	857	82	533	476	413	400	12-1"	Ø29	857		
16	400	95	565	515	480	450	16-M24	Ø27	946	82	597	540	470	450	16-1"	Ø29	946		
18	450	95	615	565	530	500	20-M24	Ø27	1023	95	635	578	533	500	16-1 1/8"	Ø32	Ø32		
20	500	125	670	620	582	500	20-M24	Ø27	Gear	95	699	635	584	500	20-1 1/8"	Ø32	Gear		
22	550	125	725	680	638	-	20-M27	Ø30	Gear	125	750	692	641	-	20-1 1/4"	Ø35	Gear		
24	600	125	780	725	682	-	20-M27	Ø30	Gear	125	813	750	691	-	20-1 1/4"	Ø35	Gear		
26										125	870	806	749	-	24-1 1/4"	Ø35	Gear		
28	700	138	895	840	794	-	24-M27	Ø30	Gear	138	927	864	800	-	28-1 1/4"	Ø35	Gear		
30										138	985	914	857	-	28-1 1/4"	Ø35	Gear		
32	800	138	1015	950	901	-	24-M30	Ø33	Gear	138	1060	978	914	-	28-1 1/2"	Ø41	Gear		
34										159	1110	1029	965	-	32-1 1/2"	Ø41	Gear		
36	900	138	1115	1050	1001	-	28-M30	Ø33	Gear	159	1170	1086	1022	-	32-1 1/2"	Ø41	Gear		
38										166	1240	1149	1073	-	32-1 1/2"	Ø41	Gear		
40	1000	159	1230	1160	1112	-	28-M33	Ø36	Gear	181	1290	1200	1124	-	36-1 1/2"	Ø41	Gear		
42																			
44	1100	159	1340	1260	1220	-	28-M33	Ø36	Gear										
46																			
48	1200	166	1455	1380	1328	-	32-M36	Ø39	Gear										
56	1400	181	1675	1590	1530	-	36-M39	Ø30	Gear										

