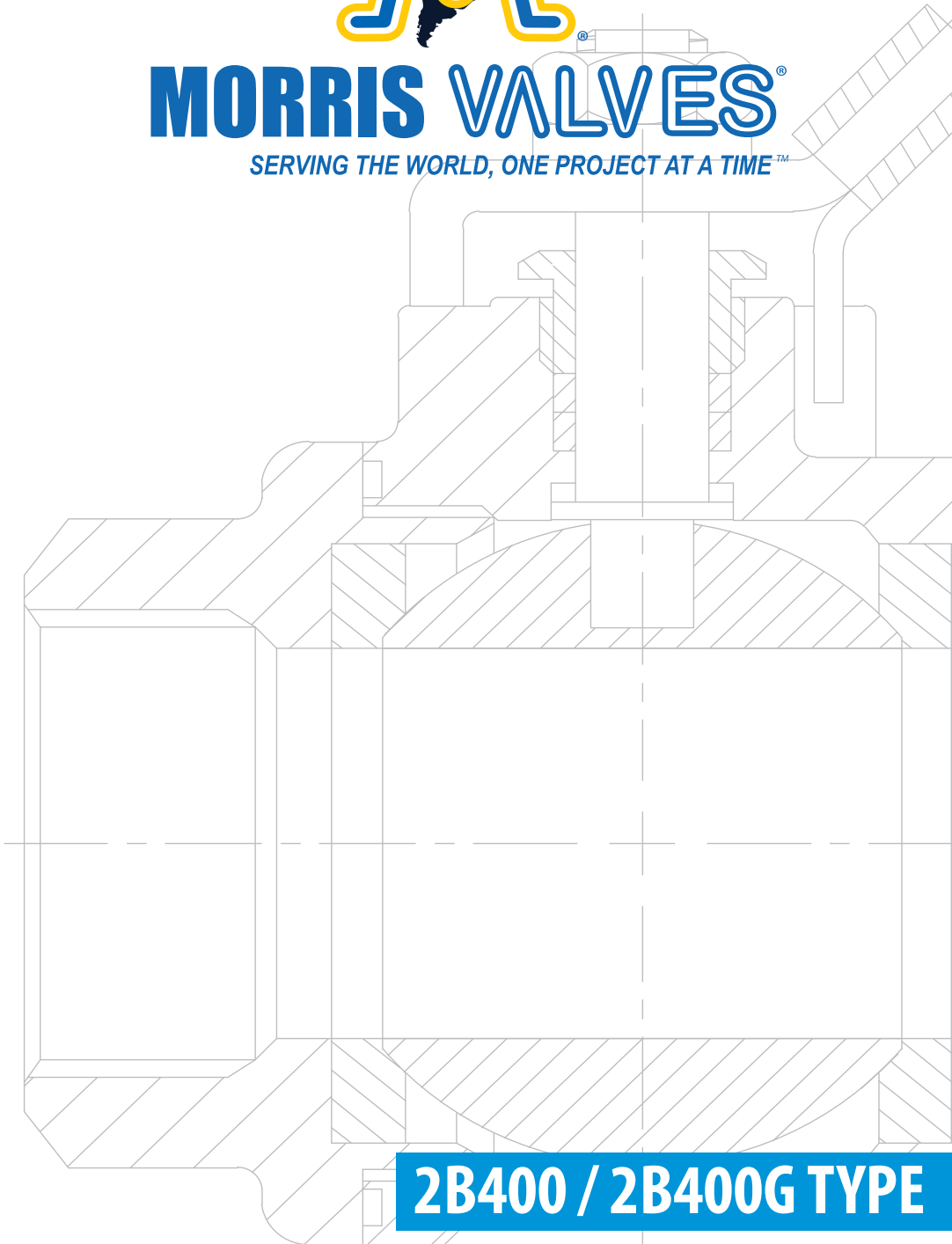




MORRIS VALVES®

SERVING THE WORLD, ONE PROJECT AT A TIME™



2B400 / 2B400G TYPE

www.morrisvalve.com



In 1984, our journey into the business of repairing valves and industrial instrumentation began. That journey has led us to represent and service well known American brands and companies. In early 2000, our experience and growing passion for the valve industry encouraged our decision to launch our own brand, Morris Valves. Starting with the highly requested Ball Valves, the brand has been based on the principal of quality and performance to match our customers' needs. Our high standards of production later lead us to incorporate other models such as Gate Valve and Check Valves to our production. These additions were carefully selected to match our Standard of Quality. Our success has been driven by our belief of "Tradition with Quality" in everything we do. Our products are developed with that belief which drives our growth and guides the service we provide to our customers.

Our vision is to be amongst the leading corporations in the supply of goods and services related to valves, their components and industrial equipment in general. We want to conquer new markets in conformity with international standards and remain committed to customer satisfaction, the welfare of our company and the sustainability of our planet.

Mision

Our mission is to use our highly trained, highly focused, and extremely motivated staff to work with manufacturers who value quality and have the vision for new development and product applications to ensure the timely provision of goods and services related to valves, their components and industrial equipment in general. We maintain a rigorous standard of customer satisfaction, which will provide for the welfare of the company, the welfare of the countries we serve, and most importantly the sustainability of the planet.

Contacts

Address: 6803 Theall Rd Building B, Houston, Tx 77066

Telephone: +1 (832) 666-5576

Cel: +1 (832) 983-0744

Email: sales@morrisvalve.com



Vision

"Serving the world, one project at a time"

United States of America

United States Patent and Trademark Office



Reg. No. 4,840,307

Registered Oct. 27, 2015

Int. Cl.: 6

TRADEMARK

PRINCIPAL REGISTER

MORRIS VALVES, INC. (FLORIDA CORPORATION)
5590 N.W. 84TH AVE.
MIAMI, FL 33166

FOR: METAL PIPES AND METAL FITTINGS THEREFOR; METAL TUBES AND METAL FITTINGS THEREFOR, IN CLASS 6 (U.S. CLS. 2, 12, 13, 14, 23, 25 AND 50).

FIRST USE 2-11-2015; IN COMMERCE 2-11-2015.

OWNER OF U.S. REG. NO. 4,241,186.

THE COLOR(S) YELLOW, WHITE, AND BLUE IS/ARE CLAIMED AS A FEATURE OF THE MARK.

THE MARK CONSISTS OF A STYLIZED WHITE LETTER "V" WITH A BLUE OUTLINE INSIDE OF A STYLIZED LETTER "M" IN BLUE OUTLINED WITH YELLOW. THE BACKGROUND OF THE MARK IS WHITE.

SER. NO. 86-543,795, FILED 2-24-2015.

MARCIE MILONE, EXAMINING ATTORNEY



Michelle K. Lee

Director of the United States
Patent and Trademark Office

2 PIECE
SCREWED END: NPT, BSPT, BSPP, HOSE BARB

2B400 TYPE

FEATURES:

- * FULL PORT
- * 400 PSI W.O.G.
- * 2-PC BODY
- * STEM THRUST WASHER
- * BLOW-OUT PROOF STEM
- * MATERIAL & TEST CERTIFICATE: EN 10254-3.1
- * API 598 TESTED EACH PIECE.
- * 12 MONTH WARRANTY
- * PIPE THREAD IN ACCORDANCE WITH:
 - ANSI/ASME B1.20.1 (NPT)
 - BS21:1973
 - DIN259/2999
 - ISO228

MATERIALS:

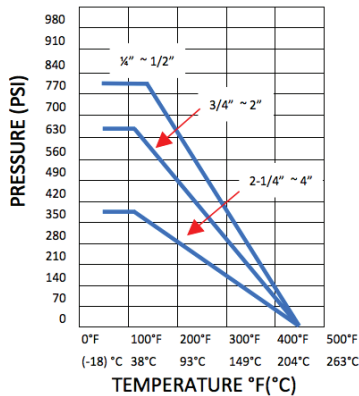
- * ASTM B283 BRASS (NAKED OR NICKEL PLATED)

OPTION:

- * DRILLING & TAPPED MOUNTING PAD

NOMINAL SIZE	ØD	L	H	W	Weight (gr)
1/4"	10	46	39	73	130
3/8"	10	46	39	73	120
1/2"	14	53	47	90	160
3/4"	18	63	51	102	230
1"	23	72	57	116	410
1-1/4"	30	78	63	134	620
1-1/2"	35	86	76	134	860
2"	43	100	83	166	1.39
2-1/2"	56	127	114	225	3.30
3"	65	140	120	260	4.10
4"	79	187	136	260	7.35

PRESSURE - TEMPERATURE
2B4002K SIZE: 1/4" - 4"



MORRIS VALVES
SERVING THE GLOBAL OIL & GAS INDUSTRY SINCE 1962

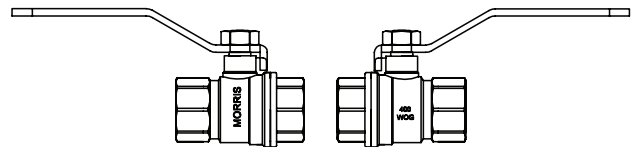
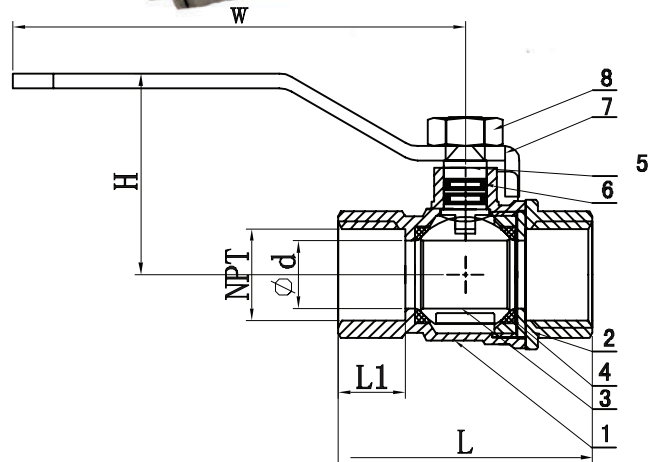
SIZE: 1/4" - 4"



CE APPROVED

HOW TO ORDER

2B400 - BODY MATERIAL - FT - SIZE - END CONNECTIONS

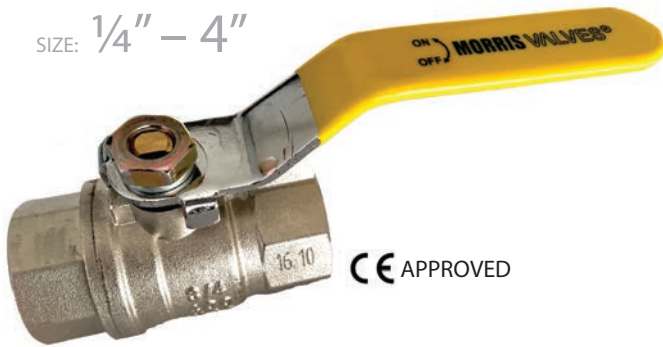


PARTS	MATERIAL
1 BODY	ASTM-B283 (NAKED /NICKEL PLATED)
2 CAP	ASTM- B283 BRASS (NAKED / PLATED)
3 BALL	ASTM- B283 CHROME PLATED
4 BALL SEAT	PTFE
5 STEM	ASTM B283 FORGED BRASS
6 O - RING	NBR
7 LEVER	STEEL
8 STEM NUTS	STEEL

2 PIECE
SCREWED END: NPT, BSPT, BSPP

2B400G TYPE

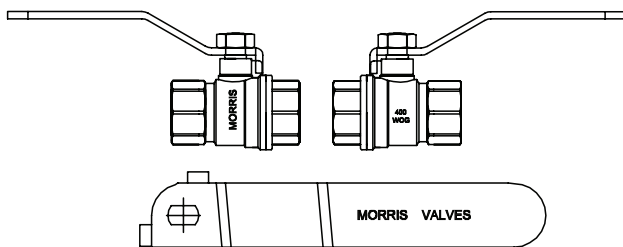
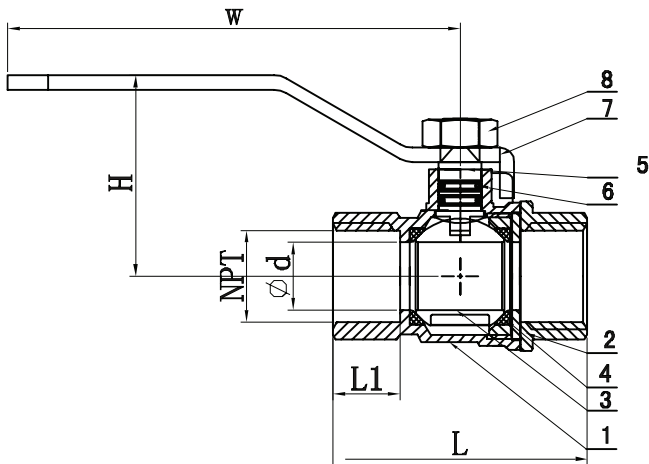
SIZE: 1/4" - 4"



CE APPROVED

HOW TO ORDER

2B400G - BODY MATERIAL - FT - SIZE - END CONNECTIONS



FEATURES:

- * FULL PORT
- * 400 PSI W.O.G.
- * 2-PC BODY
- * STEM THRUST WASHER
- * BLOW-OUT PROOF STEM
- * MATERIAL & TEST CERTIFICATE: EN 10254-3.1
- * API 598 TESTED EACH PIECE.
- * 12 MONTH WARRANTY
- * PIPE THREAD IN ACCORDANCE WITH:
 - ANSI/ASME B1.20.1 (NPT)
 - BS21:1973
 - DIN259/2999
 - ISO228

MATERIALS:

- * ASTM B283 BRASS (NAKED OR NICKEL PLATED)

OPTION:

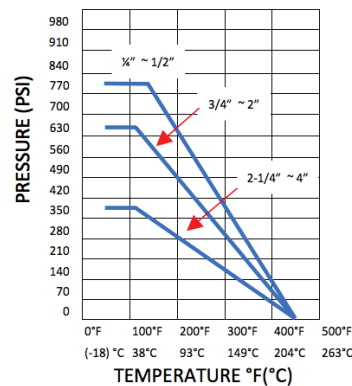
- * DRILLING & TAPPED MOUNTING PAD

MAIN APPLICATION:

- * NATURAL GAS. RESIDENTIAL APPLICATION

NOMINAL ØD SIZE	L	H	W	Weight (gr)
1/4"	10	46	39	130
3/8"	10	46	39	120
1/2"	14	53	47	160
3/4"	18	63	51	230
1"	23	72	57	410
1-1/4"	30	78	63	620
1-1/2"	35	86	76	860
2"	43	100	83	1.39
2-1/2"	56	127	114	3.30
3"	65	140	120	4.10
4"	79	187	136	7.35

PRESSURE - TEMPERATURE
2B4002K SIZE: 1/4" - 4"





A Tradition of Quality

Our passion is to develop solutions for difficult situations in Industrial Applications, no matter how large or small the project.

"Serving the world, one project at a time"

