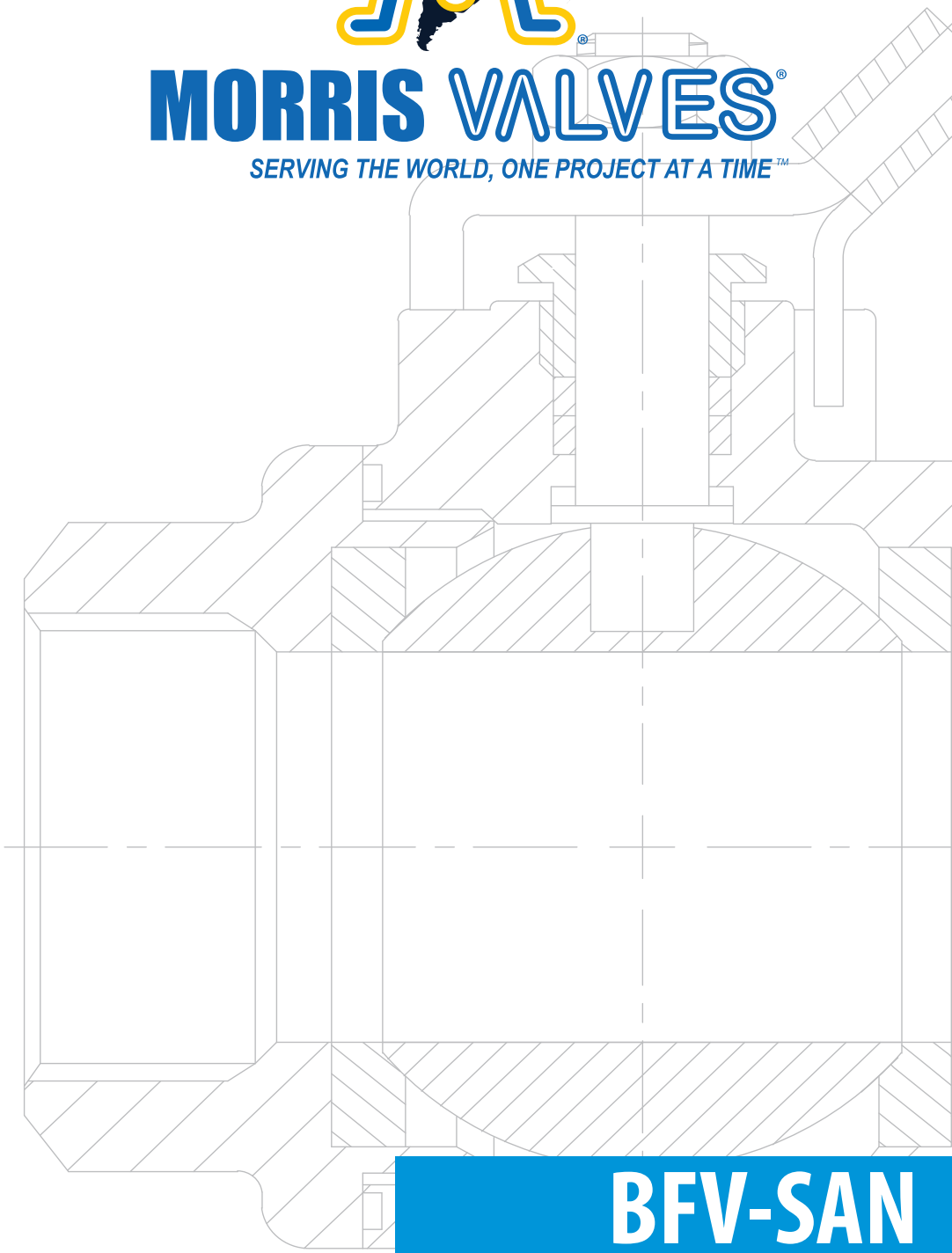




**MORRIS VALVES®**

SERVING THE WORLD, ONE PROJECT AT A TIME™



**BFV-SAN**

[www.morrisvalve.com](http://www.morrisvalve.com)



In 1984, our journey into the business of repairing valves and industrial instrumentation began. That journey has led us to represent and service well known American brands and companies. In early 2000, our experience and growing passion for the valve industry encouraged our decision to launch our own brand, Morris Valves. Starting with the highly requested Ball Valves, the brand has been based on the principal of quality and performance to match our customers' needs. Our high standards of production later lead us to incorporate other models such as Gate Valve and Check Valves to our production. These additions were carefully selected to match our Standard of Quality. Our success has been driven by our belief of "Tradition with Quality" in everything we do. Our products are developed with that belief which drives our growth and guides the service we provide to our customers.

Our vision is to be amongst the leading corporations in the supply of goods and services related to valves, their components and industrial equipment in general. We want to conquer new markets in conformity with international standards and remain committed to customer satisfaction, the welfare of our company and the sustainability of our planet.

## Mission

Our mission is to use our highly trained, highly focused, and extremely motivated staff to work with manufacturers who value quality and have the vision for new development and product applications to ensure the timely provision of goods and services related to valves, their components and industrial equipment in general. We maintain a rigorous standard of customer satisfaction, which will provide for the welfare of the company, the welfare of the countries we serve, and most importantly the sustainability of the planet.

## Contacts

**Address:** 13548 Cedar Hill Rd., Montgomery, TX. 77356, USA.

**Telephone:** +1 (832) 666-5576

**Cel:** +1 (832) 983 – 0744

**Email:** sales@morrisvalve.com



## Vision

*"Serving the world, one project at a time"*

# United States of America

United States Patent and Trademark Office

## MORRIS VALVES

**Reg. No. 5,462,890**

**Registered May 08, 2018**

**Int. Cl.: 7**

**Trademark**

**Principal Register**

MORRIS VALVES, INC. (FLORIDA CORPORATION)  
5590 N.w. 84th Ave.  
Miami, FLORIDA 33166

CLASS 7: Valves being parts of machines; Valves as machine components; Butterfly valves being parts of machines; Gate valves being parts of machines; Plug valves being parts of machines; Globe valves being parts of machines

FIRST USE 00-00-2010; IN COMMERCE 00-00-2010

THE MARK CONSISTS OF STANDARD CHARACTERS WITHOUT CLAIM TO ANY PARTICULAR FONT STYLE, SIZE OR COLOR

OWNER OF U.S. REG. NO. 4840307, 4241184, 4241186

No claim is made to the exclusive right to use the following apart from the mark as shown:  
"VALVES"

SER. NO. 87-575,517, FILED 08-18-2017



*Andrei Iancu*

Director of the United States  
Patent and Trademark Office

# BFV-SAN

NW FLANGE, BW PN10 (1.0 Mpa)

**FEATURES:**

- DESIGN:  
3A, ASME BPE (BIO-PROCESSING EQUIPMENT)
- FACE TO FACE DIMENSION:  
3A, ASME BPE
- END FLANGE DIMENSION:  
CLAMP, 3A, ASME BPE
- STD TEST:  
3A, ASME BPE
- SHUT OFF:  
ANSI CLASS VI.
- MAX. PRESSURE:  
1.0 MPa (10 Bar)
- SHELL TEST PRESSURE (Ps):  
0.385 MPa
- SEAL TEST PRESSURE (Pn):  
0.165 MPa
- TEMPERATURE RANGE:  
\* 5°C + 95 °C  
\* SELF ADJUSTING STEM PACKING  
\* BLOW-OUT PROOF STEM DESIGN  
\* ISO 5211 MOUNTING PAD  
\* MANUAL/PNEUMATIC / ELECTRIC OPERATED
- OPTIONS
- SEATS:  
SILICONE, FPM, NBR.
- APPLICATIONS:  
\* AS SHUTTING-OFF IN: PAINT INDUSTRY, PHARMACEUTICALS,  
FOOD, BEVARAGES, BEAUTY INDUSTRY
- SERVICE: AIR, GAS, STEAM, PASTY FLUIDS, LIQUIDS.
- MTR PER EN 10254-3.1
- TESTING: EACH UNIT TESTED PER API 598
- CUSTOMER SERVICE: REPLACING PARTS



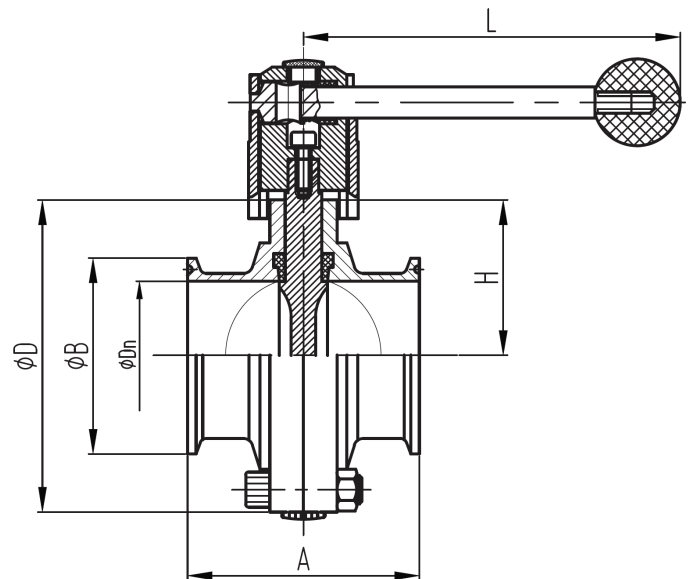
SIZE: 1/2" – 6"

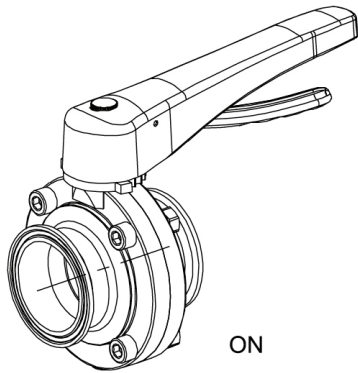
**HOW TO ORDER**

BFV-SAN -  BODY MATERIAL -  DISC -  SEAT -  SIZE -  END CONN. -  ACT -  MFG. STD

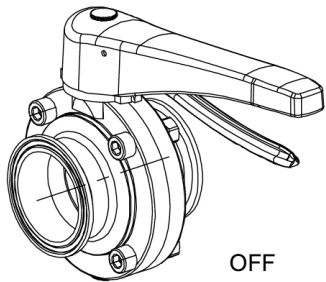
ADDITIONAL INF.	
APPLICATION:	
FLUID:	
TEMPERATURE:	
PRESSURE:	
DETA P:	

SIZE (INCHES)	BODY VALVE MAIN DIMENSIONS					
	D	B	A	H	Dn	L
1/2"	78	25.4	66.0	39.0	9.4	140.0
3/4"	78	25.4	66.0	39.0	15.8	140.0
1"	78	50.5	66.0	39.0	22.1	140.0
1-1/2"	86	50.5	70.0	43.0	34.8	140.0
2"	102	64.0	76.0	51.0	47.5	150.0
2-1/2"	115	77.5	80.0	58.0	60.2	160.0
3"	128	91.0	84.0	64.0	72.9	160.0
4"	154	119.0	104.0	77.0	97.4	180.0
6"	215	167.0	147.0	-	146.8	-

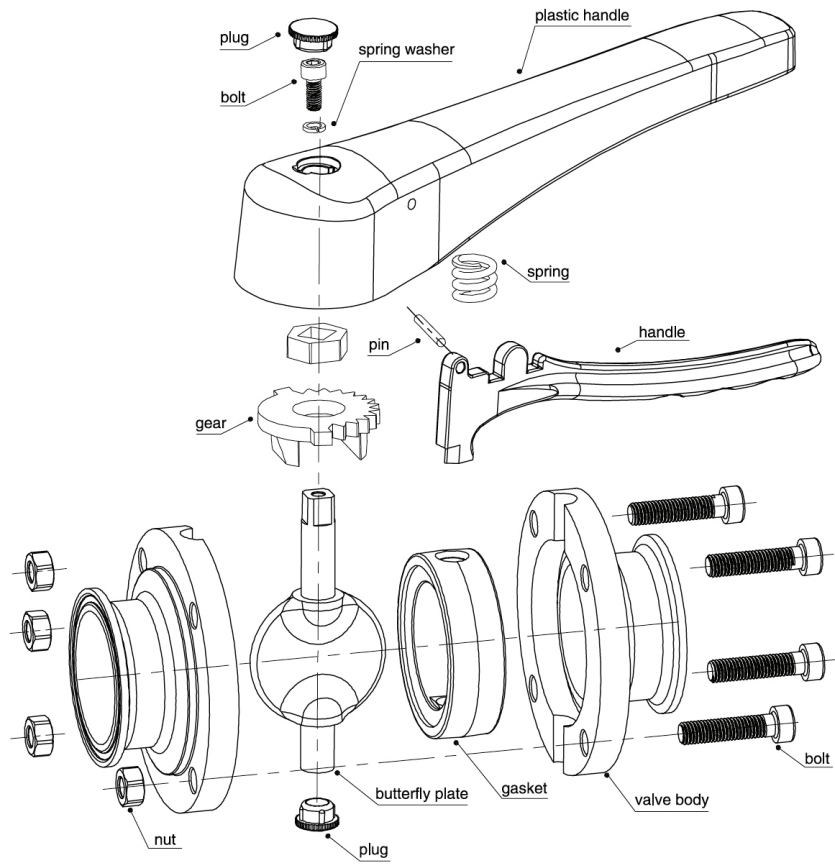




ON



OFF





*A Tradition of Quality*

*Our passion is to develop  
solutions for difficult situations in  
Industrial Applications, no matter  
how large or small the project.*

*"Serving the world, one project at a time"*

